



Hand push lawn mower RAC30HM



Translation of Original Instructions



Read carefully this manual before any use. This manual contains important recommendations concerning the safety.



32 rue aristide Bergès - ZI 31270 Cugnaux – France

SAFETY RULES

1. Read all instructions in this manual before using mower.
2. Inspect your lawn for any debris or foreign objects and remove them before mowing.
3. Never place your hands, fingers or feet inside the reel. Although not powered by a motor, when the wheels turn, the reel cuts.
4. Don't place your hands or feet near a mowing part of the mower.
5. Don't operate the mower while barefoot or wearing sandals.
6. Walk slowly, never run. Don't mow excessively steep slopes. Always be sure of your footing when operating the mower.
7. Never mow when the grass is wet enough to be slippery.
8. Never intentionally strike or ram trees, fences, etc. This can cause injuries or severely damage to the mower.
9. Make sure your mower is in safe operating conditions. Don't attempt to operate the mower if it is damaged, have it repaired first.

SPECIFICATION:

30 cm cutting width,

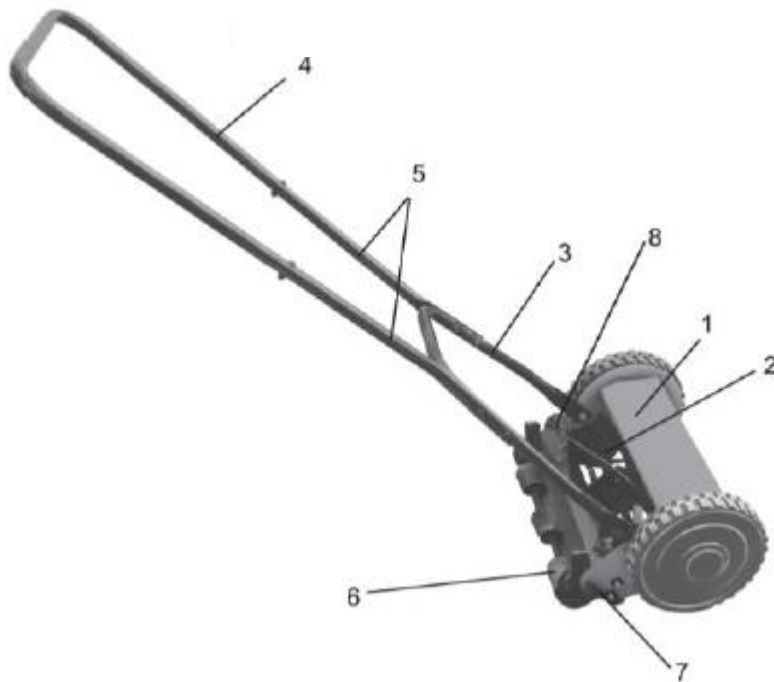
3 cutting height positions 17-43MM

G.W./N.W.:8.5/7. 5KGS

HOW TO ASSEMBLY

Components and Controls

1. Mower body
2. Cylinder blade
3. Lower handle
4. Upper handle
5. Handle extensions
6. Cutting height roller
7. Cutting height adjustment screws
8. Fixed blade setting screw

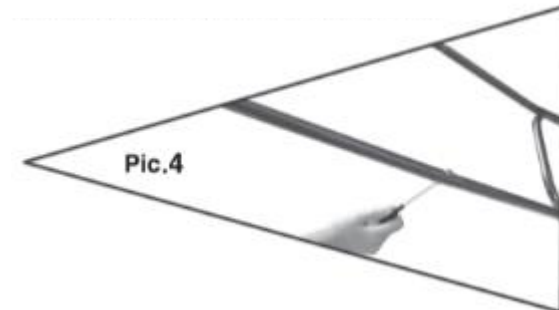
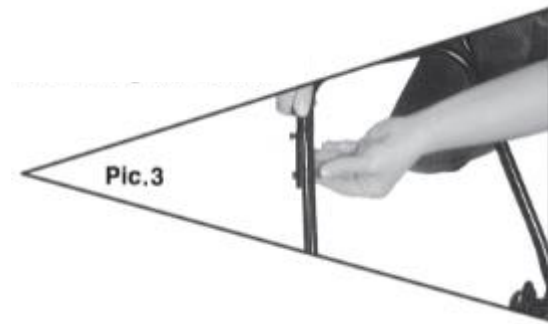
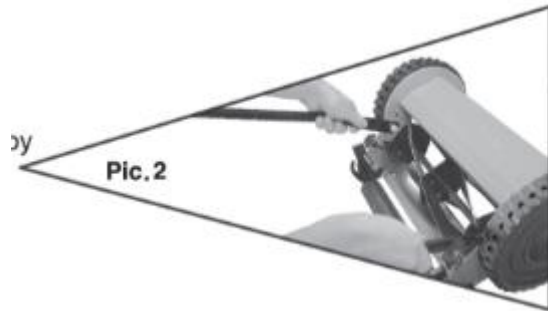


ASSEMBLY (PICS.2, 3 & 4)

Attach the lower handle to the mower body by locating the two holes over the two legs on either side of the mower body(pic 2).

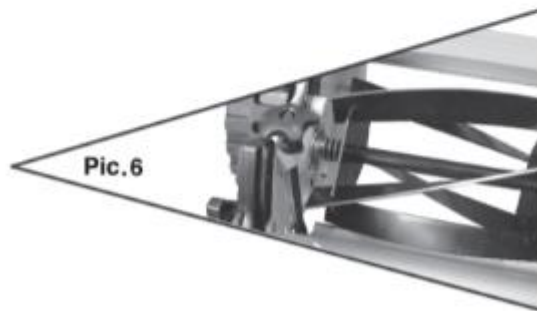
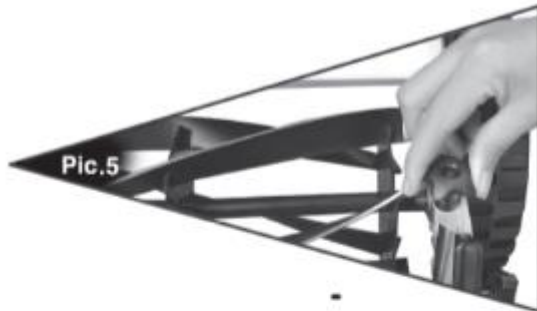
Attach the handle extensions to the lower handle using the nuts and screws provided(pic 3).

Attach the upper handle to the handle extensions using the nuts and screws provided(pic 4).



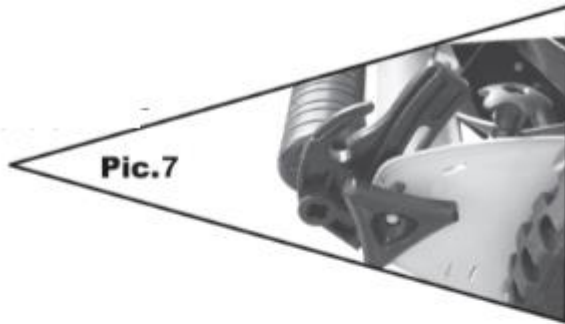
FIXED BLADE SETTING (PICS. 5 & 6)

Warning! This operation will have to be done while carefully turning the cylinder blade. We strongly recommend that thick gardening gloves are worn. In order for the mower to work efficiently, the fixed blade must be set correctly. Using the two adjusting screws(pic 5) carefully turn each adjusting knob in turn a small amount in a clockwise direction until the fixed blade just makes contact with the cylinder blade(pic 6). When this is done, back off each adjusting knob in turn until the rotating blade is just clear of the fixed blade.



CUTTING HEIGHT ADJUSTMENT (PICS. 7 & 8)

The cutting height can be adjusted by raising or lowering the cutting height roller. Slacken the two knobs one on each side of the cutting height roller(pic 7) and set the height of the roller to give the required height of cut(pic 8). It is important that when adjusting the cutting height that each end of the roller is adjusted by the same amount to keep the roller level. If this is not done, an uneven cut will result.



CLEANING(WEAR GLOVES) AND MAINTAIN

It is important that you keep your cylinder mower in a clean condition. After each use, remove all grass cuttings that have collected in and around the wheels, roller and blades. We suggest a routine application of oil or lubricant(i.e. WD-40). This should be applied to all cutting surfaces, the cutting reel axle shaft and wheels.

LIMITED WARRANTY

There are no warranties that extend beyond the product description except that the lawn mower sold thereunder is warranted as follows: One year limited warranty. For one year from purchase, we will replace free of charge to the original buyer, any part(s) found defective in material and/or workmanship upon examination by our factory or a factory authorized service center. Parts sent to the factory for replacement must be shipped prepaid by the buyer. There is no other express warranty. All implied warranties, including those of merchantability and fitness for a particular purpose are limited to one year from the purchase and to the extent permitted by law, any and all implied warranties are excluded. This is the exclusive remedy and liability for consequential damages under any and all warranties.

Warranty is limited to manual push walk behind applications and specifically excludes any non-manual powered propulsion of any kind or any commercial/non-residential applications.

Any non-residential use of this product voids all warranty.

GRASS CATCHER INSTALL

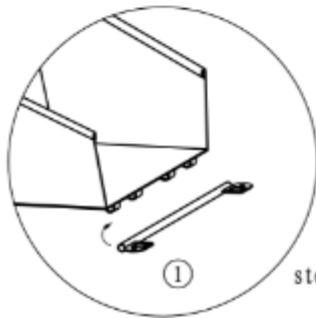
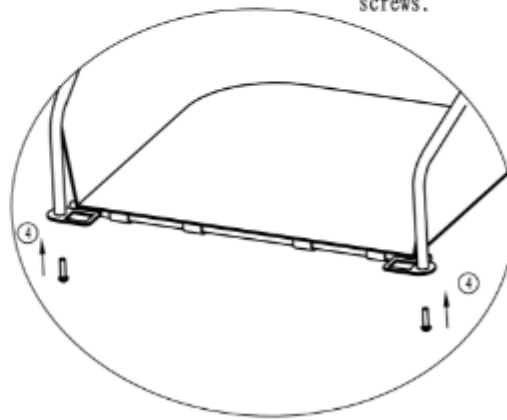
1. Attach the tube to the plastic hook
2. Insert tubes into the fabric hole
3. Fit both tubes into the connector in the middle

4. Fix both tube end with screws
5. Attach metal hook into the connector hole

Grass Catcher

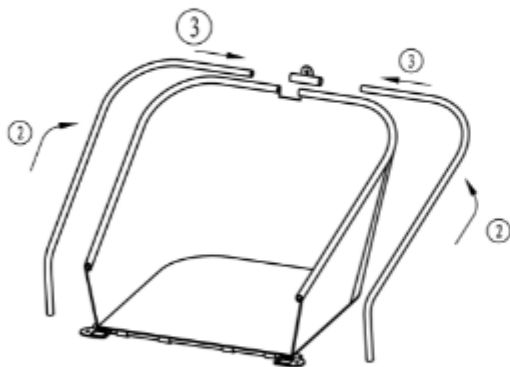
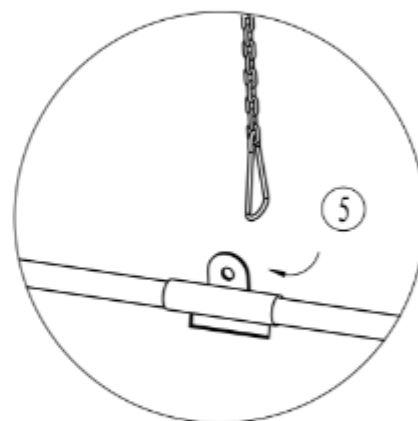


step4: Fix both tube end with screws.



step1: Attach the tube to the plastic hook.

step5: Attach metal hook into the connector hole.



step2: Insert tubes into the fabric hole.
step3: Fit both tubes into the connector in the middle.



DECLARATION OF CONFORMITY



RACING

ZI, 32 rue aristide Bergès – 31270 Cugnaux - France
Tel : +33 (0)5.34.502.502 Fax : +33 (0)5.34.502.503

declares that the machines:

Hand push lawn mower
RAC30HM

Serial No.:

have been designed in compliance with the following standards:

EN ISO 12100-1:2010	EN ISO 12100-2:2010
EN 60204-1:2006	EN 1050

And in accordance with the following directives:

Directive Machine 2006/42/EC

Philippe MARIE / PDG

26-11-2018