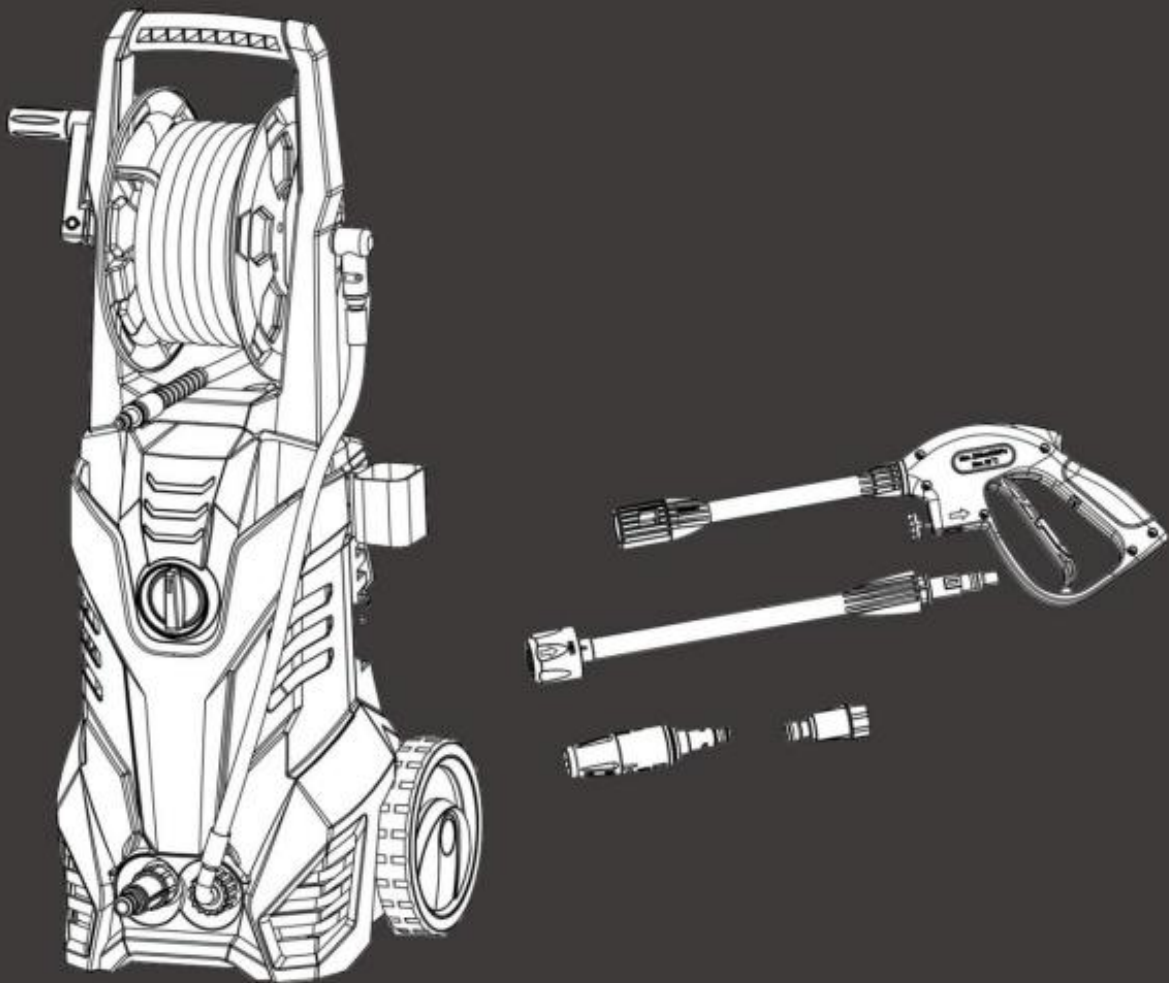


HYUNDAI
POWER PRODUCTS

HIGH-PRESSURE CLEANER HNHPE2000S

ORIGINAL INSTRUCTIONS



SAFETY INSTRUCTIONS

- **Use this unit as described in this manual. Any mishandling and any use contrary to instructions for use shall in no case be the responsibility of the manufacturer.**
- **Failure to observe the safety and operating instructions may result in a risk of electric shock, fire and / or personal injury.**
- **If you are giving this unit to another person, please also provide this manual.**
- **Do not use attachments other than those recommended by the manufacturer; they can damage the unit and / or cause injury.**
- **Machines shall not be used by children.**
- **Children should be supervised to ensure that they do not play with the appliance.**
- **This machine can be used by people with reduced physical, sensory or mental capabilities or lack of experience and knowledge if they have been given supervision or instruction concerning use of the machine in a safe way and understand the hazards involved.**
- **Children shall not play with the appliance.**
- **If the supply cord is damaged, it must be replaced by the manufacturer, its service agent or similarly qualified persons in order to avoid a hazard.**
- **Before any connection, check:**
 - **The appliance, power cable and accessories are not damaged. In this case, do not use the appliance and take it to your dealer for inspection and repair.**
 - **The voltage indicated on the rating plate of the appliance corresponds to that of your electrical installation.**
- **Do not disassemble the device yourself. Any disassembly, repair or inspection should be carried out exclusively by a qualified person.**
- **Do not touch the plug with wet hands. Do not allow the plug to fall into the water.**
- **Do not walk on the power cord, do not exert excessive pressure, or pull on the cord to avoid damage.**
- **WARNING: This machine has been designed for use with a cleaning agent supplied or recommended by the manufacturer. Use of other cleaning or chemical agents may affect the safety of the machine.**
- **WARNING: High pressure jets can be dangerous if subject to misuse. The jet must not be directed at persons, live electrical equipment or the machine itself.**
-

- **WARNING:** Do not use the machine within range of persons unless they wear protective clothing
- **WARNING:** Do not direct the jet against yourself or others in order to clean clothes or footwear.
- **WARNING:** Risk of explosion. Do not spray flammable liquids.
- **WARNING:** High pressure cleaners shall not be used by children or untrained personnel.
- The machine shall be disconnected from its power source during cleaning or maintenance and when replacing parts or converting the machine to another function.
- **WARNING:** High pressure hoses, fittings and couplings are important for the safety of the machine. Use only hoses, fittings and couplings recommended by the manufacturer.
- **WARNING:** To ensure the safety of the machine, use only the original manufacturer's parts or approved by the manufacturer.
- **WARNING:** Water that has flowed through backflow preventers is considered to be non-potable.
- **WARNING:** The machine must be disconnected from the power supply during cleaning or maintenance and when replacing parts or converting the machine to other functions by removing the power source plug.
- **WARNING:** Do not use the machine if a supply cord or important parts of the machine are damaged, e.g. safety devices, high pressure hoses, trigger gun.
- **WARNING:** If an extension cord is used, the plug and cable must be watertight.
- **WARNING:** Inadequate extension cords can be dangerous. If an extension cord is used, it shall be suitable for outdoor use, and the connection has to be kept dry and off the ground. It is recommended that this is accomplished by means of a cord reel which keeps the socket at least 60 mm above the ground.
- **WARNING:** Make sure there are no exhaust emissions near the air intakes.
- Children, animals and persons not participating in the use of the machine must remain at a minimum distance of 10 meters from the sprayer.
- The high pressure hose must remain connected to the compressor as long as the system is under pressure.
- Do not use corrosive or flammable liquids in the machine.
- The appliance must be connected to a water supply using a new set of hoses; the old pipe set must not be reused.
- Make sure that there are no exhaust emissions near the air inlets.
- When using the machine, wear protective equipment including safety goggles, safety shoes, safety gloves, safety helmet with visor and double-insulated

hearing protection.

- In order to move the unit easily, bend the lance.
- Make sure the unit is turned off and unplugged before transporting the unit.
- The connection to the power supply must be made by a qualified electrician in accordance with IEC60364-1. It is recommended that the power supply of this machine includes a residual current device that interrupts power if the earth leakage exceeds 30 mA for 30 ms or a device that will homologate the earth circuit.
- Before assembling, dismantling, repairing, transporting, servicing and storing, please check if the appliance is disconnected from the power supply. □
- Handle the unit with care, do not drop it.
- Do not use the machine in extreme weather conditions, when it is very cold. Do not use the machine with ice water.
- Use the tool in a stable and plane location.
- The inlet hose can be connected to the water mains with a maximum pressure of 10 bars.
- The appliance must not be connected to potable water supply.
- **CAUTION:** In order to avoid danger due to untimely resetting of the thermal cut-out, this device must not be powered by an external switch, such as a timer, or connected to a circuit that is regularly switched on energized and de-energized by the electricity supplier
- When transporting the machine, take note of its weight. Do not overestimate your efforts and get help if necessary.
- The machine must be transported from one point to another and disconnected. Always use the handle to push the machine.
- Use the handle to lift the machine.
- Improper transport of the machine may result accidents and injuries.
- Do not use the tool where dangerous situations or accidents may occur. Do not use it indoor, in places where are exhausted gases, etc.
- In case of accidents or breakdowns, stop to use the tool, switch off it and unplug it. Check the conditions of the tool and bring it to a service agent for inspection and reparation if necessary.
- When opening the trigger gun, pay attention to the kickback force. The power of the gun can cause a kickback and can produce a loss of control of the gun and create accidents and injuries. Hold the gun firmly, and with both hands if possible.
- **WARNING** Always switch off the mains disconnecting switch when leaving the machine unattended.

- **To avoid dangerous situations in the event of an accident (for example, contact with or spill of detergents) or equipment failure (such as a puncture or a component failure), please stop using the machine immediately. Check the problem. Have the machine inspected by a qualified technician. In the event of an overflow, move the machine away and clean the overflow.**
- **WARNING Always turn off the main switch when leaving the machine unattended.**
- **During use, transport, assembly, disassembly, in case of failure, during foreseeable tests or breakdowns, the tool must always remain upright.**
- **Do not use the tool in dangerous situations or when an accident has occurred. Do not use indoors, in places where gases can be emitted, etc.**

Intended use

Your PRESSURE CLEANER can perform a myriad of tasks in the house and in the garden. It effectively cleans a wide variety of surfaces.

Your PRESSURE CLEANER is designed to operate from a cold water supply.

It operates efficiently with water whose temperature is between 5 and 60 degrees.

Your PRESSURE CLEANER has been designed for outdoor use only on materials such as stone, wood and plastics. Please check, before use, whether materials can be cleaned with your sprayer; the manufacturer cannot be held responsible for any damage resulting from improper use.

The main applications of this product are household cleaning tasks such as:

- Cars, motorcycles, bicycles;
- Patios, fences, garden walls, pathways, garages and facades of houses;
- To remove algae and mosses from roofs, brick walls and gutters;
- For cleaning of gardening tools and machinery, furniture and grills;
- For hygiene and maintenance of kennels, stables, etc. and their surroundings;

It is especially useful for cleaning muddy sidings.

The sprayer alone is capable of performing most of the garden cleaning tasks or on buildings. The detergent is useful for cleaning vehicles and other painted surfaces.

Symbols:



Read the instructions manual.



Complies with applicable European standards and directives.



Protection class II. This means that the device is equipped with double insulation. A grounding plug is not required.



WARNING! The jet should not be directed at persons, animals, live equipment or the equipment itself.



This machine is not suitable for connection to the drinking water supply.



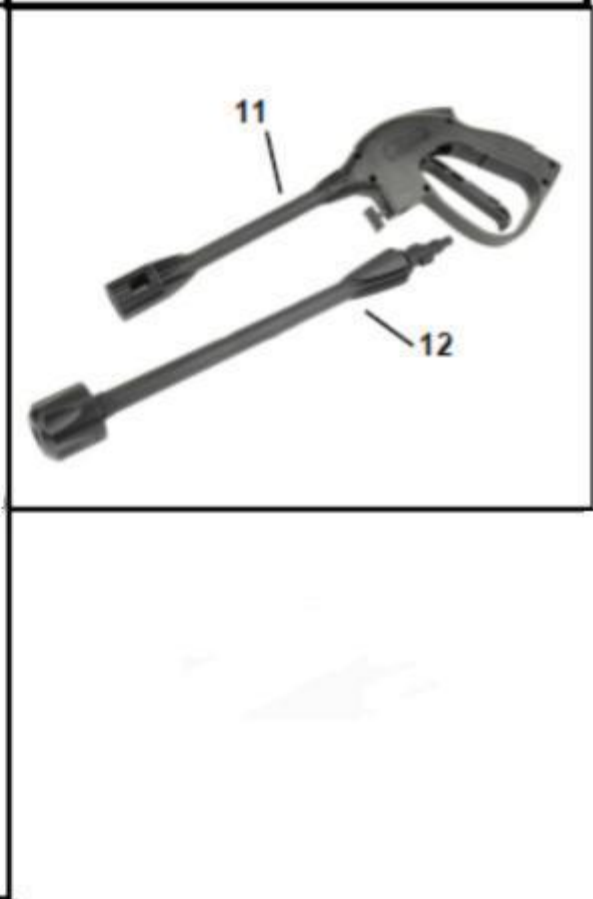
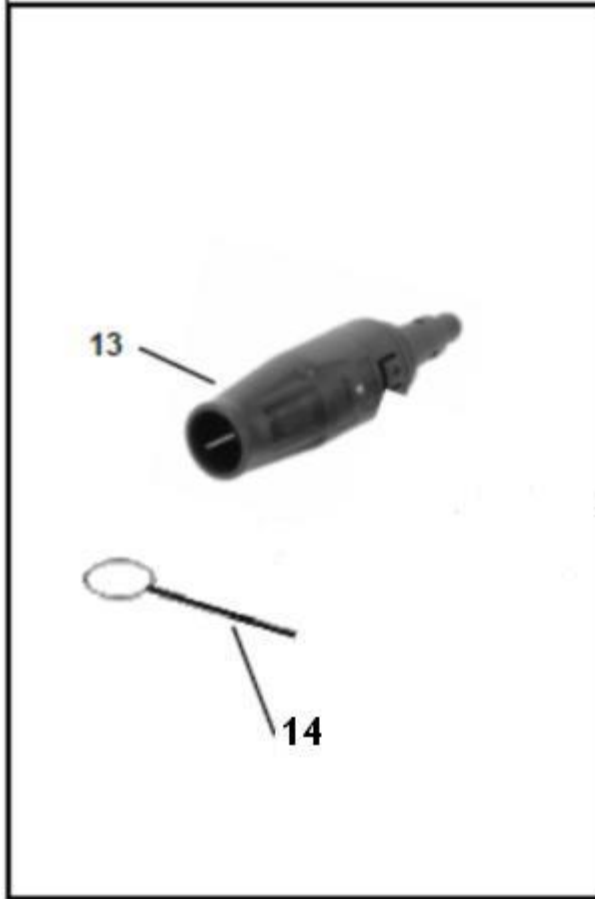
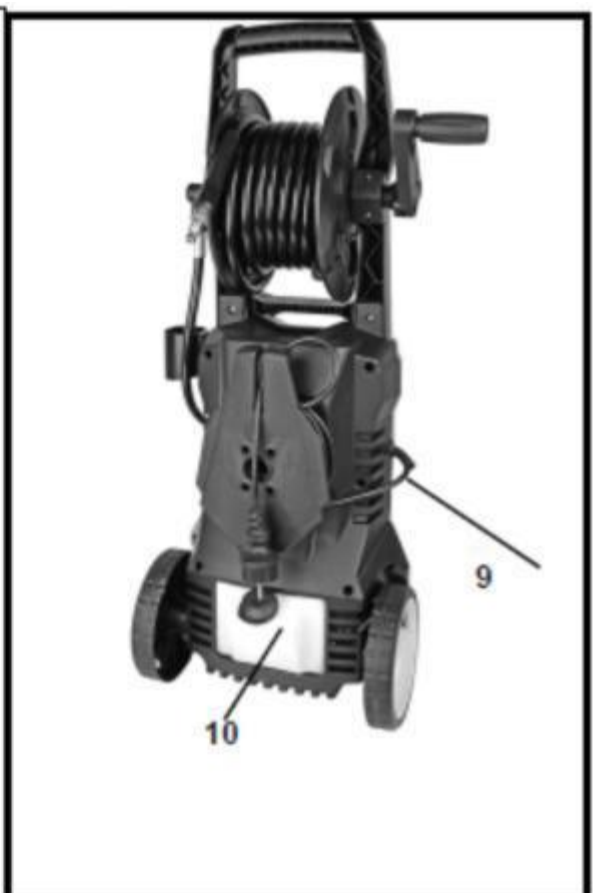
Guaranteed sound power level.

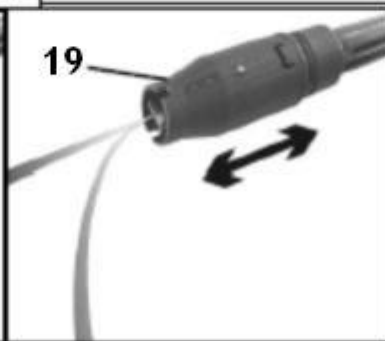
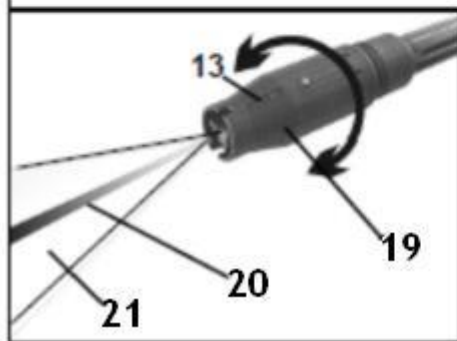
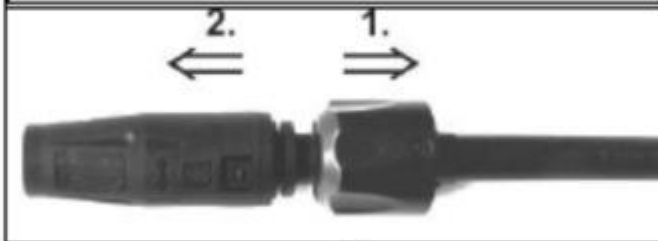
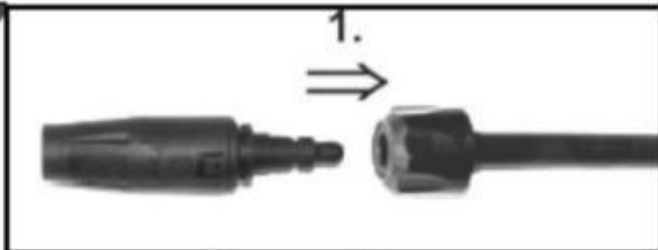
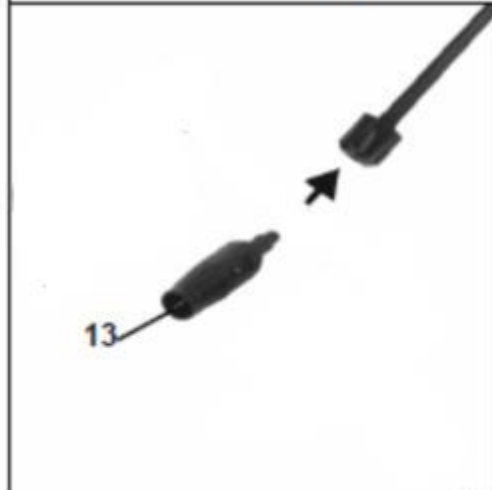
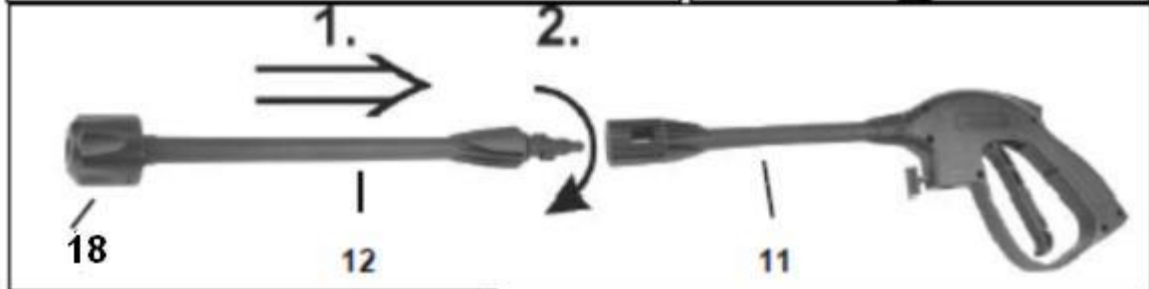
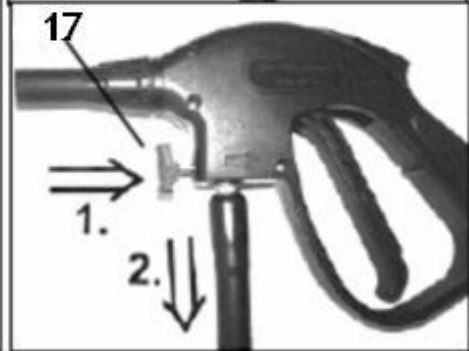
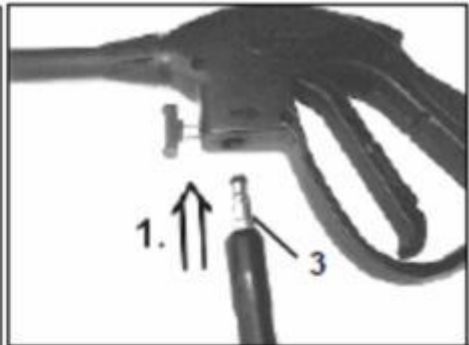
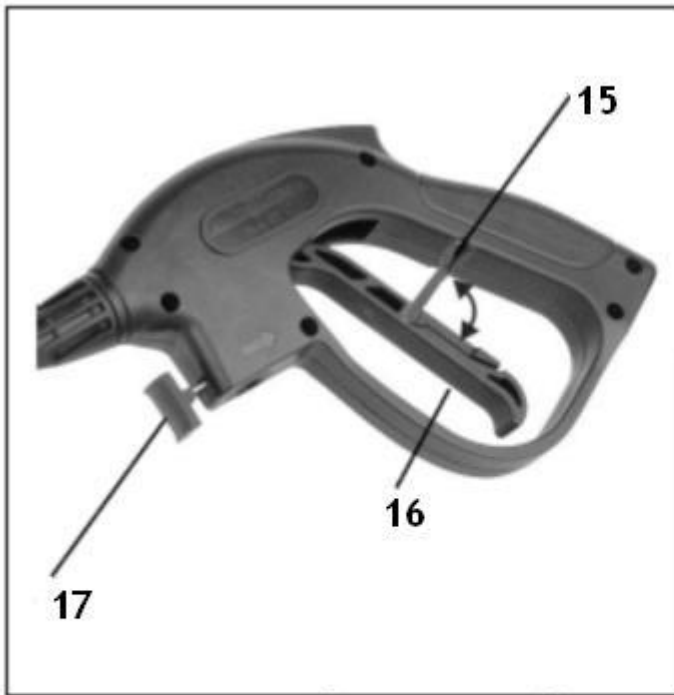


Level of protection 5. This means that the device is protected against a weak water jet, e.g. by a garden watering on the device.



Correct disposal of this product. This marking indicates that this product should not be disposed of with other household waste throughout the EU. To prevent possible harm to the environment or human health from uncontrolled waste disposal, recycle it responsibly to promote the sustainable reuse of material resources. To return the used device, please use the return and collection systems or contact the retailer where the product was purchased. They can take this product for environmentally friendly recycling.





Delivery contents	Description of the device (photo 1)
<ul style="list-style-type: none"> 1 high-pressure cleaner 1 high-pressure hose 1 spray gun 1 spray tube 1 wide jet nozzle 1 foam nozzle 1 hose connection 1 nozzle cleaning needle 	<ul style="list-style-type: none"> 1. Carrying handle 2. Hose drum 3. Hose connection 4. High-pressure hose 5. Operation switch 6. High-pressure outlet 7. Water supply 8. Hand cam 9. Power cable 10. Detergent tank 11. Spray gun 12. Spray tube 13. Wide jet nozzle 14. Nozzle cleaning needle 15. Locking system 16. Trigger 17. Unlocking 18. Locking cover 19. Tip nozzle 20. Linear jet 21. Round jet

Technical data

Nominal voltage	220-240 V~
Frequency	50 Hz
Nominal power	2000 W
Water flow temperature, max.	40 °C
Water production, min.	6.0 l/min
Water production pressure, max.	0.3 mPa (3 bars)
Operating pressure, nominal.	10 mPa (100 bars)
Operating pressure, max.	15.0 mPa (150 bars)
Sound pressure level (Uncertainty K = 3 dB)	88 dB(A)
Sound power level max. (Uncertainty K = 3 dB)	99 dB(A)
Vibration of the spray gun	3,0 m/s ²
Protection class	II / ☐
Degree of protection	IPX5
Weight	9.4 kg



Wear hearing protection when using the power tool.

Note:

- The declared vibration total value was measured in accordance to a standard test method and may be used for comparing one tool with another.
- The declared total vibration value can even be used in a preliminary exposure estimate.

Warning:

- Vibration emission during actual use of the power tool may differ from the total declared value depending on how the tool is used;
- Avoid the risk of vibration

Suggestion: 1) wear gloves during the operation.

2) limit the operating time and shorten the tripping time.

Protection class IPX5

The product is protected against a small jet of water e. g. by spraying garden water on the device.

Automatic stop of the engine

This high-pressure washer is equipped with an automatic engine stop. If the trigger (19) of the spray gun is activated during operation, the motor stops automatically. By pressing the trigger (16) again, the motor restarts. During short work breaks, the trigger (16) of the spray gun (11) should be locked by the locking system (15) to prevent unintentional starting of the engine. In case of longer interruptions, the operation switch (5) should also be set to "OFF".

Use of detergents

This high-pressure washer is suitable for the use of universal cleaning products, for cars, boats, home and garden, recommended by the manufacturer and approved for use with high-pressure cleaners (e.g. Kärcher, Mellerud).

The use of other cleaning products or chemicals may interfere with the safety and functionality of the appliance.

- When using cleaning products, the dosing and application instructions of the manufacturer of cleaning products should be observed.
- Do not use aggressive cleaning products.
- Consult your specialist dealer for advice on suitable cleaning products.

Before start-up

- It is recommended that a specialist install a current protection switch at the electrical connection of the device, to interrupt the power supply when the fault current exceeds 30 mA for 30 ms.
- According to the applicable regulations, the device should never be operated without a system separator on the drinking water system. Use a separator system according to EN 12729 type BA. Always connect the system separator to the water supply and never directly to the device!
- Slide the hose reel (2) into the holder provided at the front and secure it with two screws.
- The high-pressure hose (4) should be screwed firmly to the high-pressure outlet (6).
- Plug the free end of the high-pressure hose (3) into the corresponding opening of the gun until you hear a click. To remove the high-pressure hose from the gun, press the unlock button (17) and pull the hose out.
- Screw the water hose onto the water connection sleeve or push it into the pre-assembled hose connector. At the same time, make sure that the dirt filter is in the suitable position.
- Screw the spray hose (12) firmly into the spray gun (11).

- If necessary, insert one of the nozzles into the steel pipe until you hear a click. To replace the nozzle, pull the locking cap (18) backwards towards the gun and pull the nozzle out from the front.
- Connect the power plug into a properly grounded outlet.
- Turn the water supply on. If you are using the high-pressure washer and the water supply is interrupted, this causes damages to the pump.

Turning on

Fully unwind the high-pressure hose from the hose reel (2). At the same time hold it with the transport handle (1).

- Turn the operating switch (5) to the "ON" position
- Point the spray gun (11) downwards.
- Unlock the locking device (15) of the spray gun (11) and press the trigger (16) fully.

Turning off

- Release the trigger (16) and lock it with the locking system (15).
- In case of longer interruptions, the high-pressure cleaner should be switched off with the operation switch (5). ("OFF")

Detergent tank

The detergent tank (10) allows adding automatically the detergent to the washing water if needed.

- Remove the cap to open the tank (10).
- Fill the tank with a maximum of 0.5 l of detergent solution.
- For the preparation of the detergent solution, follow the instructions or recommendations of the manufacturer of the product used.
- Close the tank (10).
- Detergent is added by adjusting the jet nozzle and this can only be done in low pressure mode.

Jet nozzle

Detergent can only be added in low pressure mode.

- Push the nozzle sleeve (19) forward or backward to change the high-pressure cleaner from high-pressure to low pressure mode and vice versa.
- To add detergent to the washing water, push the nozzle sleeve (19) forward and push it to the stop.
- When you trigger the gun, the detergent will be automatically mixed with the washing water.
- To switch to the high-pressure mode, pull the nozzle sleeve (19) towards the gun till the stop.
- After switching from low pressure to high-pressure mode, and when the detergent tank is full, the detergent may still flow for a few moments.

Cleaning operation

- Start possibly by cleaning the object in high-pressure operation mode to remove most of the dirt.
- Spray the detergent on the dry surface to be cleaned and let it act for a few moments (do not let it dry!).
- Rinse with a high-pressure jet to remove the dissolved dirt.

Round jet nozzle

By turning the nozzle tip (19) you can choose between linear jet (20) and round jet (21) for the spray nozzle.

Completing the cleaning

- Switch off the pressure washer with the operating switch (5) and press "OFF" to unplug the plug.
- Turn off the water supply and remove the device from the water drain.
- Operate the spray gun (11) until the device is no longer pressurized.
- Lock the trigger (16) of the spray gun with the locking system (15).
- Disconnect the high-pressure hose from the gun by pressing the locking button (17) and pulling the hose downwards from the gun.
- Roll up the whole high-pressure hose onto the reel (2).
- Store the device in a safe place, temperate place out of reach of children.
- Before a long period without use and winter storage, operate the device for approx. 5 seconds without draining water and without connecting the high-pressure hose. The pump is thus emptied of as much residual water as possible and the risk of damage due to the possible presence of frozen water within the device is nearly inexistent.

Care and Maintenance

- Before carrying out any maintenance and repair work, disconnect the power plug.
- Clean the housing only with a dry cloth and do not use detergents that could attack the housing.
- Remove the dirt filter from the water connection (7), clean it under water and replace it.
- The supplied cleaning needle (14) is used to clean the nozzle. After each use of the pressure washer, push the cleaning needle (14) through the nozzle from the front to remove any foreign material or deposits in the nozzle.

Storage

- Proceed to its cleaning and remove the hoses and accessories before storage. Check that there isn't any water in the pipes.

- Place the power cable on its hook and wrap completely the high-pressure hose.
- Store the machine, hoses and accessories together in a safe and dry place, protected from moisture and frost.

The machine should be stored in order to be out of the reach of children.

Warranty

We guarantee this product for 2 full years.

The warranty period for this item starts on the day of purchase. You can prove the date of purchase by sending us the original receipt.

We insure over the entire warranty period:

- Free repair of possible malfunctions.
- Free replacement of damaged parts.
- Including the free service of our specialized personnel (i.e. free assembly by our technicians)

Provided that the damage is not due to improper use of the device.

Elimination

Used power tools and environmental protection



- If you ever use your electrical appliance so intensively that it must be replaced or if you no longer need it, you should dispose of it at a recycling centre.
- Information on the disposal of your electrical equipment can be obtained from local waste disposal companies or your administrative centres.
- Electrical appliances contain important recyclable raw materials. By bringing your electrical appliance to a recycling centre, you contribute to the reuse of valuable raw materials.
- Electrical appliances also contain elements which, if not disposed of properly, can cause damage to people and the environment.
- The symbol representing a crossed-out waste bin means that you are obliged to take the device involved to a sorting centre for electrical and electronic equipment for its recycling.



Declaration of conformity

BUILDER SAS

ZI, 32 rue aristide Bergès – 31270 Cugnaux - France

Declares that the machinery designated below:

HIGH-PRESSURE CLEANER

Ref.: HNHPE2000S

Serial number:

Complies with the provisions of the Directive “machinery” 2006/42/CE

and national laws transposing it:

Also complies with the following European directives:

EMC Directive 2014/30/EU

ROHS Directive 2011/65/EU

Directive on environmental noise emissions from equipment

intended for use outside buildings 2000/14/EC

Guaranteed Sound Power Level: 99 dB(A)

Also complies with European standards, with national standards

and the following technical provisions:

EN 60335-1:2012+A11:2014

EN60335-2-79:2012

EN 62233:2008

EN 55014-1:2006+A1:2009+A2:2011

EN 55014-2:2015

EN 61000-3-2:2014

EN 61000-3-3:2013

Issued in Cugnaux, on 17/10/2018

Philippe MARIE / PDG

HYUNDAI
POWER PRODUCTS

For Inquiries, Please Contact:

BUILDER SAS
32, rue Aristide Bergès Z1 31270 Cugnaux, France
Tel. +33 (0) 5.34.502.502 Fax: +33 (0) 5.34.502.503
<http://www.hyundai-power-fr.com/>
Made in PRC

Imported by BUILDER SAS, France

Licensed by Hyundai Corporation, Korea