

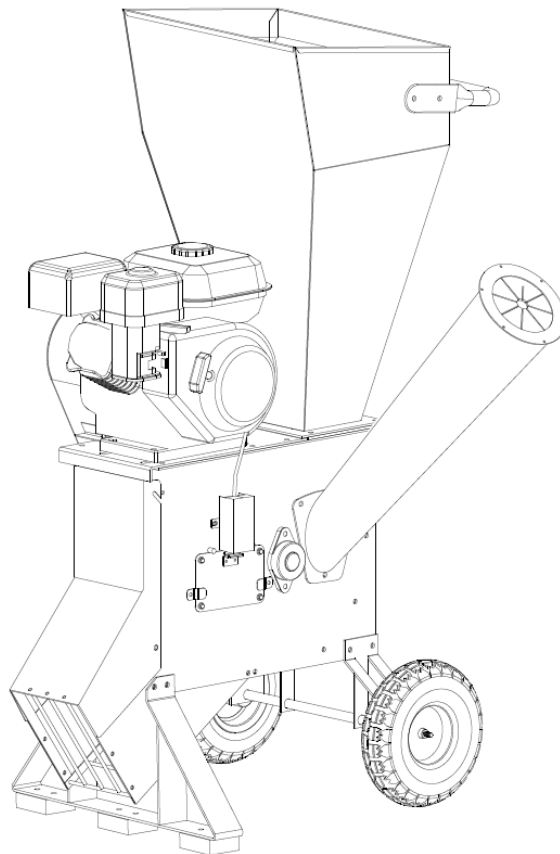
FEIDER

MACHINES

INSTRUCTION MANUAL

CHIPPER SHREDDER

FBT400



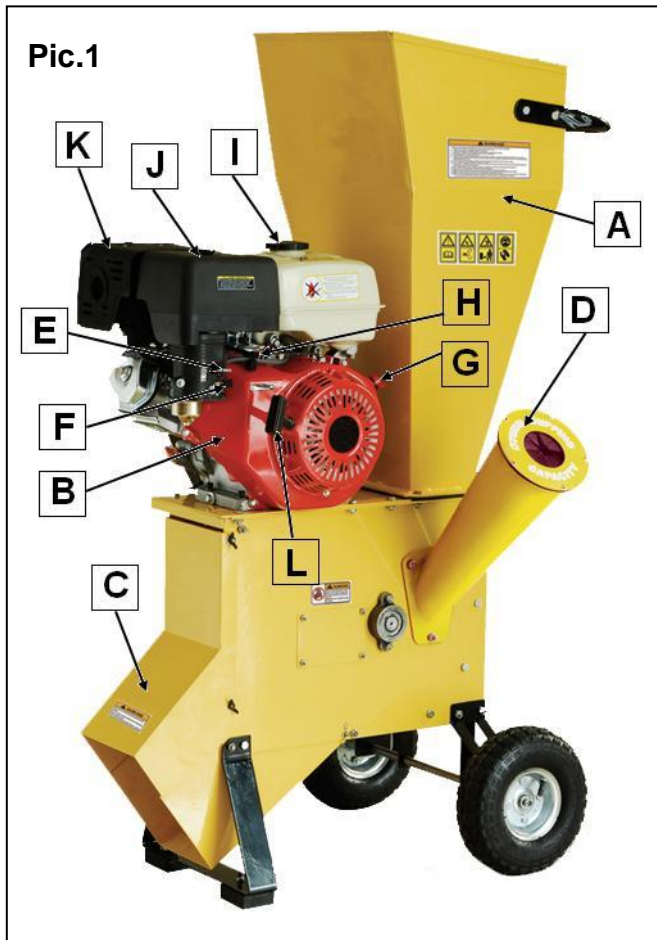
CAUTION: READ THE INSTRUCTION MANUAL BEFORE USE THE TOOL

ORIGINAL INSTRUCTIONS

FEIDER

ZI du casque, 32 impasse Aristide Bergès, 31270 Cugnaux, FRANCE

Identification



Machine Identification (Pic.1)

- A. Hopper
- B. Motor
- C. Chip Outlet
- D. Chipper Funnel
- E. Choke
- F. Fuel Cock
- G. ON/OFF Switch
- H. Throttle
- I. Fuel Tank Cap
- J. Air Cleaner
- K. Exhaust
- L. Pull Start Handle

Pic.1 Chipper/Shredder Identification

SECTION 1: SAFETY

IMPORTANT
READ CAREFULLY BEFORE USE
KEEP FOR FUTURE REFERENCE

Safe operating practices

Training

Become familiar with the owner's manual before attempting to operate this equipment.

Preparation

- 1) Do not allow children to operate this equipment;
- 2) Do not operate this equipment in the vicinity of bystanders;
- 3) Do not run engine powered machines in an enclosed area since the exhaust from an engine contains carbon monoxide, which is colourless, odourless, and tasteless; carbon monoxide can be extremely dangerous in enclosed areas;
- 4) Wear ear protection and safety glasses at all times while operating the machine;
- 5) Avoid wearing clothing that is loose fitting or that has hanging cords or ties;
- 6) Only operate the machine in open space (e.g. not close to a wall or other fixed object) and on a firm, level surface;
- 7) Do not operate the machine on a paved or gravel surface where ejected material could cause injury;
- 8) Before starting the machine, check that all screws, nuts, bolts, and other fasteners are properly secured and that guards and screens are in place. Replace damaged or unreadable labels;
- 9) Use extra care in handling fuels. They are flammable and the vapours are explosive. The following points should be observed:
 - use only an approved container;
 - Never remove the fuel cap or add fuel with the power source running. Allow engine and exhaust components to cool before refuelling;
 - do not smoke;
 - never refuel the machine indoors;
 - never store the machine or fuel container inside where there is an open flame, such as a water heater;
 - if fuel is spilled, do not attempt to start the power source, but move the machine away from the area of spillage before starting;
 - always replace and securely tighten the fuel cap after refuelling;
 - If the fuel tank is drained, this should be done outdoors.

Operation

- 1) Before starting the machine, look into the feeding chamber to make certain that it is empty;
- 2) Keep your face and body away from the feed intake opening;
- 3) Do not allow hands or any other part of the body or clothing inside the feeding chamber, discharge chute, or near any moving part;
- 4) Keep proper balance and footing at all times. Do not overreach. Never stand at a higher level than the base of the machine when feeding material into it;
- 5) Always stand clear of the discharge zone when operating this machine;
- 6) When feeding material into the machine be extremely careful that pieces of metal, rocks, bottles, cans or other foreign objects are not included;
- 7) If the cutting mechanism strikes any foreign objects or if the machine should start making any unusual noise or vibration, shut off the power source and allow the machine to stop. Disconnect the spark plug wire from the spark plug (electric unit disconnect from supply) and take the following steps:
 - inspect for damage;
 - check for and tighten any loose parts ;
 - Have any damaged parts replaced or repaired with parts having equivalent specifications.
- 8) Do not allow processed material to build up in the discharge zone; this may prevent proper discharge and can result in kickback of material through the feed intake opening;
- 9) If the machine becomes clogged at the inlet opening or discharge chute shut-off the power source and disconnect the spark plug wire or remove the ignition key before clearing debris in the inlet opening or discharge chute. Keep the power source clear of debris and other accumulations to prevent damage to the power source or possible fire. Remember that operating the starting mechanism on engine powered machines will still cause the cutting means to move;
- 10) keep all guards and deflectors in place and in good working condition;
- 11) Do not tamper with the power source governor settings; the governor controls the safe maximum operating speed and protects the power source and all moving parts from damage caused by over-speed. Seek authorised service if a problem exists;
- 12) Do not transport this machine while the power source is running;
- 13) Shut off the power source and disconnect the spark plug lead (electric unit disconnect from supply) whenever you leave the work area;
- 14) Do not tilt the machine while the power source is running.

Maintenance and storage

- a) When the machine is stopped for servicing, inspection, or storage, or to change an accessory, shut off the power source, disconnect the spark plug wire from the spark plug, make sure that all moving parts have come to a complete stop and, where a key is fitted remove the key. Allow the machine to cool before making any inspections, adjustments, etc.
- b) Store the machine where fuel vapour will not reach an open flame or spark. For extended storage periods, run the unit dry of fuel. Always allow the machine to cool before storing;
- c) When servicing the cutting means be aware that, even though the power source will not start due to the interlock feature of the guard, the cutting means can still be moved by a manual starting mechanism.

Additional safety instructions for units with bagging attachments

- a) shut-off the power unit before attaching or removing the bag.

The purpose of safety symbols is to attract your attention to possible hazardous conditions. This manual uses a series of symbols and signal words which are intended to convey the level of importance of the safety messages. The progression of symbols is described below. Remember that safety messages by themselves do not eliminate danger and are not a substitute for proper accident prevention measures.



Indicates an imminently hazardous situation which, if not avoided, **WILL** result in death or serious injury



Indicates a potentially hazardous situation which, if not avoided, **COULD** result in death or serious injury



Indicates a potentially hazardous situation which, if not avoided, **MAY** result in minor or moderate injury. It may also be used to alert against unsafe practices

NOTICE

This symbol is used to alert the user to useful information about proper operation of the machine



Safety Instructions for Machinery

1. **READ THROUGH THE ENTIRE MANUAL BEFORE STARTING MACHINERY.** Machinery presents serious injury hazards to untrained users.
2. **ALWAYS USE ANSI APPROVED SAFETY GLASSES WHEN OPERATING MACHINERY.** Everyday eyeglasses only have impact resistant lenses, they are NOT safety glasses.
3. **ALWAYS WEAR AN ANSI APPROVED RESPIRATOR WHEN OPERATING MACHINERY THAT PRODUCES DUST.** Wood dust is a carcinogen and can cause cancer and severe respiratory illnesses.
4. **ALWAYS USE HEARING PROTECTION WHEN OPERATING MACHINERY.** Machinery noise can cause permanent hearing damage.
5. **WEAR PROPER APPAREL.** DO NOT wear loose clothing, gloves, neckties, rings, or jewelry which may get caught in moving parts. Wear protective hair covering to contain long hair and wear non-slip footwear.
6. **NEVER OPERATE MACHINERY WHEN TIRED, OR UNDER THE INFLUENCE OF DRUGS OR ALCOHOL.** Be mentally alert at all times when running machinery.
7. **ONLY ALLOW TRAINED AND PROPERLY SUPERVISED PERSONNEL TO OPERATE MACHINERY.** Make sure operation instructions are clearly understood.
8. **KEEP CHILDREN AND VISITORS AWAY.** Keep all children and visitors a safe distance from the work area.
9. **NEVER LEAVE WHEN MACHINE IS RUNNING.** Turn power **OFF** and allow all moving parts to come to a complete stop before leaving machine unattended.

10. **DO NOT USE IN DANGEROUS ENVIRONMENTS.** DO NOT use machinery in damp, wet locations, or where any flammable or noxious fumes may exist.
11. **KEEP WORK AREA CLEAN AND WELL LIT.** Clutter and dark shadows may cause accidents.
12. **TURN OFF THE MACHINE BEFORE REPAIRING THE TOOL.**
13. **MAINTAIN MACHINERY WITH CARE.** Keep blades sharp and clean for best and safest performance. Follow instructions for lubricating and changing accessories.
14. **MAKE SURE GUARDS ARE IN PLACE AND WORK CORRECTLY BEFORE USING MACHINERY.**
15. **REMOVE ADJUSTING KEYS AND WRENCHES.** Make a habit of checking for keys and adjusting wrenches before turning machinery **ON**.
16. **CHECK FOR DAMAGED PARTS BEFORE USING MACHINERY.** Check for binding and alignment of parts, broken parts, part mounting, loose bolts, and any other conditions that may affect machine operation. Repair or replace damaged parts.
17. **USE RECOMMENDED ACCESSORIES.** Refer to the instruction manual for recommended accessories. The use of improper accessories may cause risk of injury.
18. **DO NOT FORCE MACHINERY.** Work at the speed for which the machine or accessory was designed.
19. **SECURE WORKPIECE.** Use clamps or a vise to hold the workpiece when practical. A secured workpiece protects your hands and frees both hands to operate the machine.
20. **DO NOT OVERREACH.** Keep proper footing and balance at all times.
21. **MANY MACHINES WILL EJECT THE WORKPIECE TOWARD THE OPERATOR.** Know and avoid conditions that cause the workpiece to "kickback."
22. **ALWAYS LOCK MOBILE BASES (IF USED) BEFORE OPERATING MACHINERY.**
23. **BE AWARE THAT CERTAIN WOODS MAY CAUSE AN ALLERGIC REACTION.** In people and animals, especially when exposed to fine dust. Make sure you know what type of wood dust you will be exposed to and always wear an approved respirator.
24. **HAND SAFETY: DO NOT** put hands or other body parts into hopper, funnel, or outlet while the blades are turning. The chipper/shredder can drag you into the blade, causing amputation of fingers, hands or other body parts. **DO NOT** touch the exhaust during or immediately after operation to prevent burns.
25. **OPERATING LOCATION:** Set up the chipper/shredder on firm, level, grass or dirt. **DO NOT** set up the chipper/shredder on gravel, asphalt, concrete, or stone. The chips are expelled from the machine with enough force to ricochet off of hard surfaces and cause serious injury. **DO NOT** set up the chipper/shredder in a location where sparks or heat from the motor could cause a fire.
26. **SECURE FOOTING:** Placing the chipper/shredder on a slope or slippery surface may cause the operator to fall into the machine, causing burns from the motor, or an amputation if an arm accidentally goes into the hopper. Wear non-slip, closed toed shoes or boots to maintain secure footing.

27. **JAMS AND CLOGGING:** Turn the chipper/shredder **OFF**, allow all moving parts to come to a complete stop, and disconnect the spark plug wire before attempting to free a jam or clog.
28. **FEEDING MATERIAL:** Hold branches and brush loosely, and allow the chipper/shredder to draw the material in. The machine sometimes will draw material in very quickly and your hand may be drawn in if you are holding tightly. If the blades hit a hard object, or if the machine begins to make an unusual noise or vibration, immediately shut the chipper/shredder **OFF**.
29. **TURN OFF CHIPPER/SHREDDER:** Turn **OFF** the machine, allow all moving parts to come to a complete stop, and disconnect the spark plug wire before moving the machine, emptying the bag, unclogging the inlets or outlets, filling the gas tank, or performing maintenance and repairs.
30. **STARTING THE CHIPPER/SHREDDER:** Make sure the hopper and funnel are empty when starting the machine. The pull start cord may stop suddenly causing the chipper/shredder to fall over or injure your hand or arm.
31. **CLEANING CHIPPER/SHREDDER:** Allow the motor to cool off, then brush dust and chip build-up off of the motor to prevent fire or motor overheating.

⚠️ WARNING

Like all machinery there is potential danger when operating this machine. Accidents are frequently caused by lack of familiarity or failure to pay attention. Use this machine with respect and caution to lessen the possibility of operator injury. If normal safety precautions are overlooked or ignored, serious personal injury may occur.

⚠️ CAUTION

No list of safety guidelines can be complete. Every environment is different. Always consider safety first, as it applies to your individual working conditions. Use this and other machinery with caution and respect. Failure to do so could result in serious personal injury, damage to equipment, or poor work results.

Symbols



Read operator's manual



Keep bystanders away



Danger - Rotating blades. Keep hands and feet out of openings while machine is running



Wear eye and ear protection



Do not use as a step

SECTION 2: SET UP

Set Up Safety

⚠️WARNING

This machine presents serious injury hazards to untrained users. Read through this entire manual to become familiar with the controls and operations before starting the machine!

Site Considerations

The chipper/shredder must be placed on a firm, flat, grass or dirt surface to prevent the machine from tipping. DO NOT place the machine on concrete, asphalt, or other hard surfaces. The chips could bounce up from the hard surface and cause injury.

Consider the length of the material to be processed through the machine and make sure that there is enough height above the chipper/shredder to accommodate the material. Make sure the unit is located close to the area where the chips are going to be used to reduce carrying.

Stay clear of the discharge area. Make sure all bystanders, children, pets, or objects that you do not want damaged or covered in chips, are clear of the discharge area.

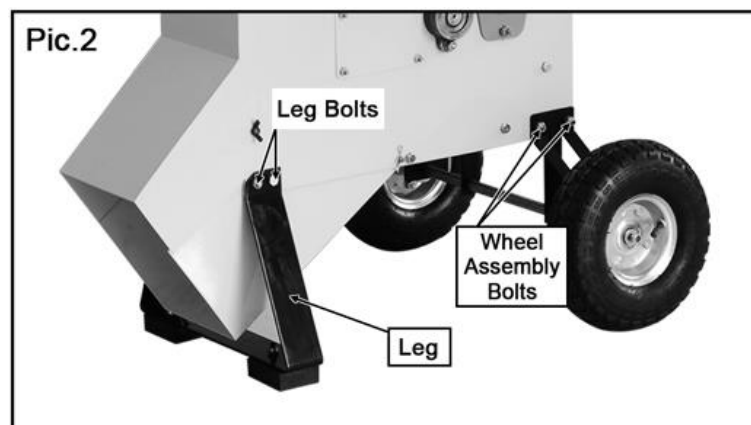
Assembly

The major components of this chipper/shredder have been assembled at the factory. Some minor assembly is required. The assembly process will use all the parts and hardware listed in the inventory.

DO NOT attempt to start this machine until all assembly has been completed. Serious personal injury and damage to the machine could occur.

To assemble the chipper/shredder:

1. Tip the chipper/shredder over and remove the bolts shown in **Pic.2**. DO NOT turn the chipper/shredder over once it is full of oil and gas. The oil and gas will spill out.
For fixing the leg: 2pcs Bolt M8x20, 1pc Bolt M8x200, 1pc Support Tube, 4pcs Washer Ø8, 3pcs Lock nut M8.
For fixing the wheel assembly: 2pcs Bolt M8x200, 2pcs Support Tube, 4pcs Washer Ø8, 2pcs Lock nut M8.



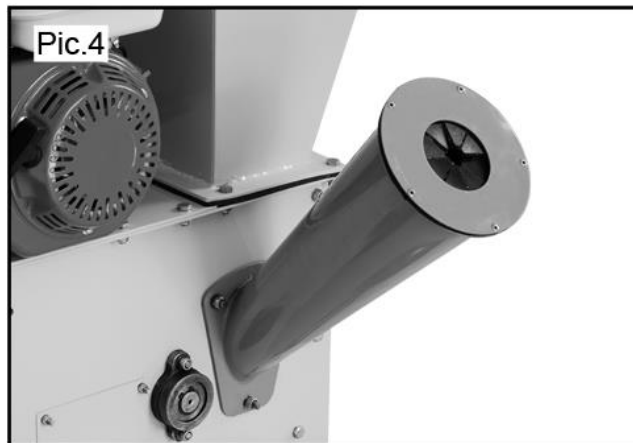
Pic.2 Attaching the leg

2. Attach the wheel assembly and the leg with the bolts that were removed in **Step 1**.
3. Place the handle on the hopper and line up all of the holes. Secure it with flat washer (Ø8, 4pcs), spring washer (Ø8, 4pcs) and bolt (M8x20, 4pcs). (See **Pic.3**)



Pic.3 Installing the handle

4. Place the funnel over the studs in the side of the chipper/shredder and secure it with flat washer (Ø8, 3pcs), spring washer (Ø8, 3pcs) and locknut (M8, 3pcs). (See **Pic.4**)



Pic.4 Funnel installation

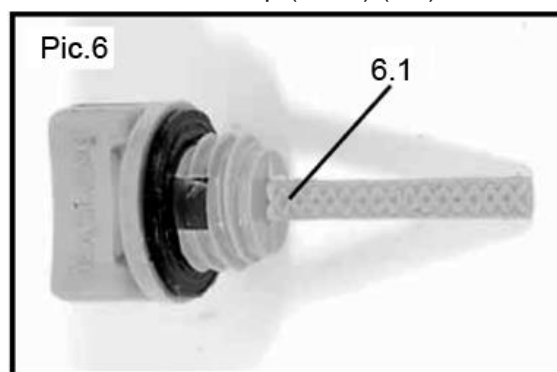
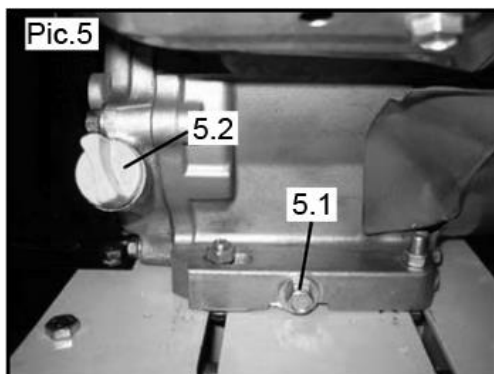
5. Before operating, fill the motor with oil and gas according to the instructions.

NOTICE

This chipper/shredder does not have oil in the motor when shipped. Add oil before operating the chipper/shredder, or the motor will seize.

Filling the engine oil

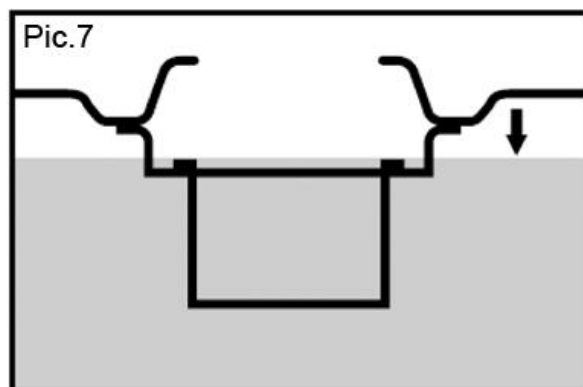
Place the machine on a level surface and remove the oil filler cap (**Pic.5**) (5.1).



Add engine oil up to the upper level of the dipstick (**Pic.6**) (6.1).

Filling the fuel tank

The chipper/shredder is powered by a four-stroke engine, which uses unleaded gasoline fuel. Use a suitable funnel to transfer the fuel to the engines fuel tank, taking care not to spill any fuel or over fill the fuel tank. The fuel tank should not be filled above the top of the fuel filter as shown in **Pic.7**



SECTION 3: OPERATIONS

Operation Safety

⚠WARNING

Damage to your eyes, hands, and ears could result from using this machine without proper protective gear. Always wear safety glasses, hearing protection, and leather gloves when operating this machine.

⚠WARNING

Loose hair and clothing could get caught in machinery and cause serious personal injury. Keep loose clothing and long hair away from moving machinery.

NOTICE

If you have never used this type of machine or equipment before, **WE STRONGLY RECOMMEND** that you read books, trade magazines, or get formal training before beginning any projects.

NOTICE

This chipper/shredder does not have oil in the motor when shipped. Add oil before operating the chipper/shredder, or the motor will seize.

Chipping/Shredding

Understand and follow all of the safety precautions listed in **SECTION 1: SAFETY** before operation.

This chipper/shredder is intended for mulching garden and pruning waste such as green branches, twigs, brush, vines, and long grasses. **DO NOT** use this chipper/shredder for chipping construction debris, plastic, paper products, rope or twine, or any material that may contain metal.

Note: Remove any nails, rope, twine, or rocks that may be imbedded in roots, before inserting material into the chipper/shredder.

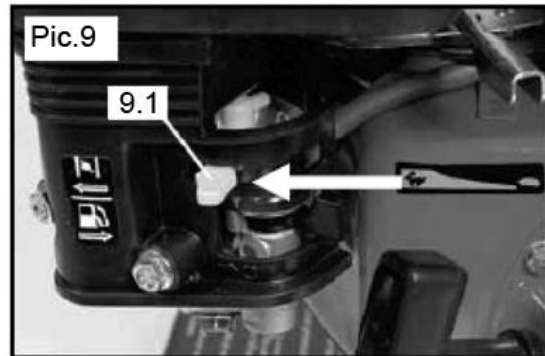
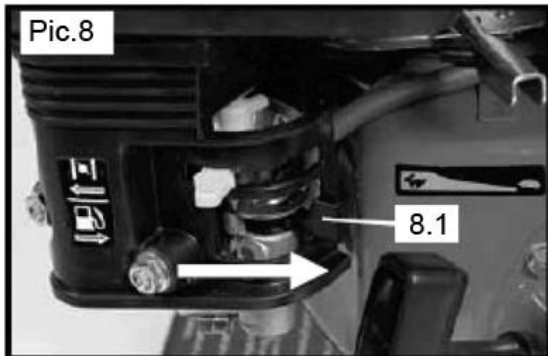
To operate the chipper/shredder:

1. Place the chipper/shredder on a flat, firm, dirt or grass surface and point the outlet in a safe direction.
2. Check the oil and gas levels before starting the motor.
3. Place the bag over the chute and tie it securely in place.
4. Make sure the hopper and funnel are empty before starting the engine. If there is material in the hopper or funnel, the pull start cord may stop suddenly causing the chipper/shredder to fall over, or causing injury to your hand or arm.
5. Put on eye and ear protection, and gloves, start the chipper/shredder as instructed in the manual, then set the throttle to fast.
6. Stand to the side of the hopper and make sure you have a stable stance and firm footing.

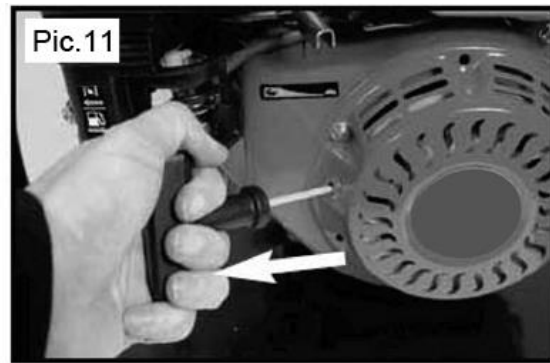
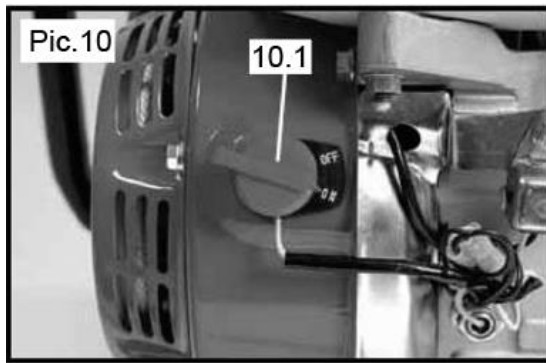
To start the chipper/shredder:

Turn the fuel lever to the ON position (**Pic.8**) (8.1).

Set the choke lever to the ON position (**Pic.9**) (9.1).

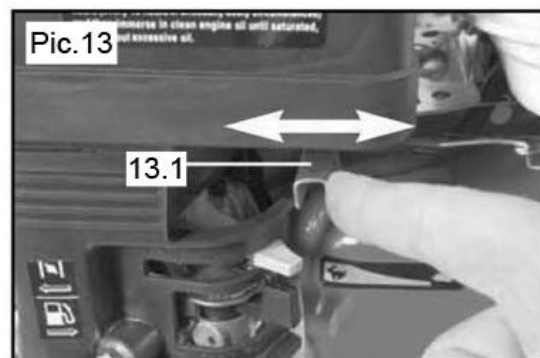
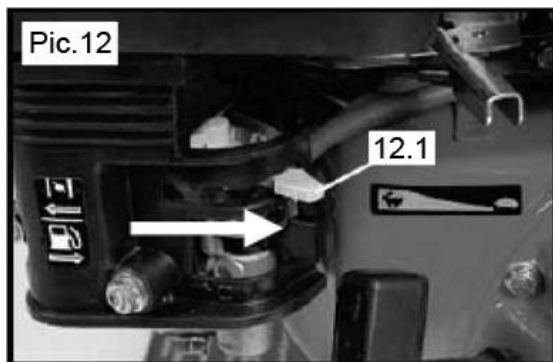


Turn the engine ON/OFF switch to the ON position (**Pic.10**) (10.1).



Hold down the engine firmly with one hand on the frame. With the other hand grip the recoil starter cord handle and pull slowly until resistance is felt indicating that the recoil starter is engaged. When resistance is felt pull the cord sharply (**Pic.11**). Continue this procedure until the engine starts.

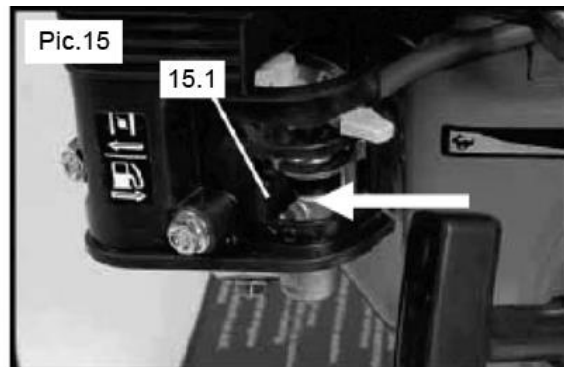
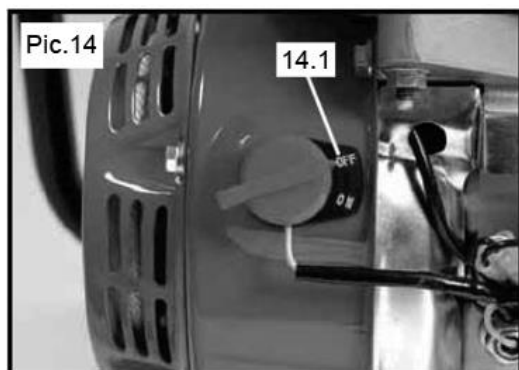
When the engine has been successfully started and is running smoothly return the choke lever to the OFF position (**Pic.12**) (12.1).



When the engine is running, the speed can be adjusted by moving the throttle control lever (**Pic.13**) (13.1) to the high (indicated by a hare), medium or low position (indicated by a tortoise).

To stop the chipper/shredder:

To stop the engine, turn the engine ON/OFF switch to the OFF position (**Pic.14**) (14.1).



When the engine has stopped and before storage, turns the fuel lever to the OFF position as shown in **Pic.15** (15.1).

To shred twigs, leaves, and brush:

1. Slowly pour the material into the hopper. DO NOT try to stuff too much material in at one time or the machine will jam.
2. Use a branch to push the material into the hopper if necessary (see **Pic.16**). DO NOT use your hands!



Pic.16 Shredding leaves

Note: Move the throttle to the idle position, or turn the chipper/shredder **OFF**, when not actively shredding or chipping.

3. Turn **OFF** the machine, allow all moving parts to completely stop, and disconnect the spark plug wire before moving the machine, emptying the bag, unclogging the inlets or outlets, filling the gas tank, or performing maintenance and repairs.

Shredding Tips:

- Feed material into the chipper/shredder slowly. If the motor begins to bog down, you are feeding too fast.
- Roots and dirty material will dull or damage the blades.
- Remove the chips often. Allowing the chips to pile up to the outlet will cause the outlet to clog.
- Avoid shredding wet leaves to reduce clogging. If you must shred wet material, alternate wet and dry material.

To chip branches:

1. Stand to the side of the hopper and make sure you have a stable stance and firm footing.
2. Remove twigs and smaller branches from the branch if they might catch on the edges of the funnel and prevent the branch from going in.
3. Place branches into the funnel, thick end first, and allow the blades to draw the branch into the funnel (see **Pic.17**).



Pic.17

Pic.17 Chipping branches

4. When finished chipping, turn **OFF** the machine, allow all moving parts to come to a complete stop, and disconnect the spark plug wire before moving the machine, emptying the bag, unclogging the inlets or outlets, filling the gas tank, or performing maintenance and repairs.

Chipping Tips:

- DO NOT feed material in excess of the diameter indicated on the funnel cover into the funnel. Large branches will cause the motor to stall.
- Chipping wood when it is green is easier on the machine. The blades will stay sharper longer.
- The chipper/shredder will work best if the blades are sharp. Rotate, sharpen, or replace the blades as soon as chipper/shredder performance begins to deteriorate.

SECTION 4: MAINTENANCE

▲WARNING

Turn **OFF** the machine, allow all moving parts to come to a complete stop, and disconnect the spark plug wire before moving the machine, emptying the bag, unclogging the inlets or outlets, filling the gas tank, or performing maintenance and repairs.

Warning! There is danger of rotating cutting means; before maintenance and cleaning, be sure that the rotating cutting means has come to a complete stop.

Visual Inspection

Before and after using the chipper/shredder, closely inspect the machine for loose parts and damage.

- Check the hopper, hopper guard, and funnel for cracks, holes, and loose bolts.
- Check the box frame for cracks or damage.
- Check the entire machine for loose bolts or screws.
- Check the blades for cracks and dings.
- Check the engine oil level.

Cleaning

Clean the machine after each use. Allow the motor to cool and remove the spark plug wire. Brush off or vacuum wood chips and wipe off the remaining dust from the exterior of the machine with a dry cloth. DO NOT rinse off the chipper/ shredder with water. Remove any chips or debris from the hopper and the discharge chute.

It is much harder to clean the machine if you allow it to sit for a while after use. You may need to use an engine cleaner to remove the built up resins from the motor. Engine cleaners are available at most auto parts stores.

Maintenance of engine

Spark Plug

After every 50 hours of running the spark plug should be removed. Check the color of the deposits on the end of the spark plug it should be a "Tan" color. Remove all deposits using a stiff brush a brass wire brush is ideal. Check the spark plug gap (**Pic.18**) (18.1) and adjust if required. The correct gap should be 0.7 to 0.8mm.



Engine oil replacement

Place the machine on a level surface and warm up the engine for several minutes. Then stop the engine.

Remove the oil filler cap (**Pic.5**) (5.1).

Place an oil pan under the engine. Remove the oil drain plug (**Pic.5**) (5.2) so that the oil can be completely drained. You will need to use a tube or other similar device to prevent the oil leaking onto the frame of the chipper/shredder.

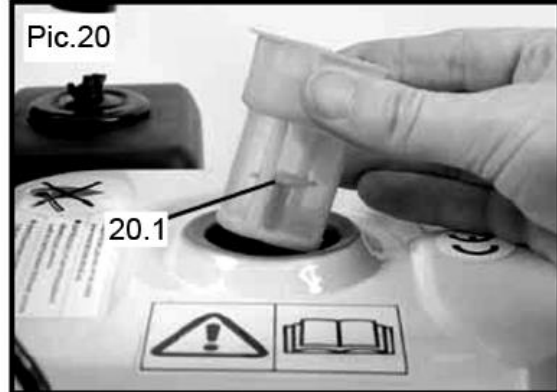
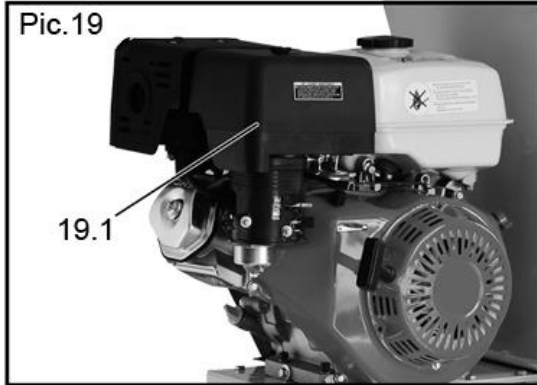
Check the oil drain plug, gasket, oil filler cap and O-ring and if damaged replace.

Reinstall the oil drain plug.

Add engine oil up to the upper level of the dipstick (**Pic.6**) (6.1).

Air Filter

After every 100 hours of running or every month, the air filter (**Pic.19**) (19.1) should be removed, examined for deterioration and cleaned. Clean the air filter thoroughly using environmentally friendly water based degreasing agent. Allow to dry fully then replace the air filter. **Warning!** Never run the engine without the air filter fitted.



Fuel tank filter

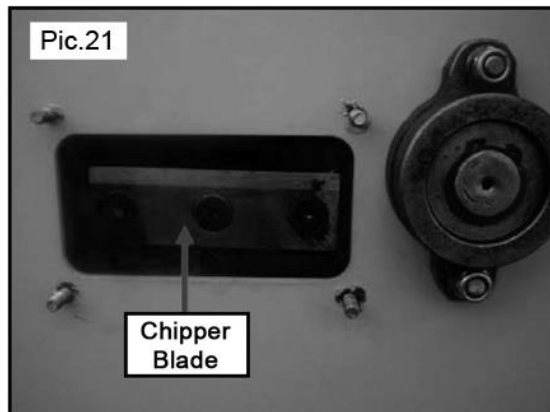
After every 150 hours of running or every three months the fuel tank filter (**Pic.20**) (20.1) should be removed and cleaned. Remove the fuel tank filler cap and the filter, clean the filter thoroughly using environmentally friendly water based degreasing agent and re-fit.

Replacing Blades

Sharpen or replace the blades as soon as the chipping performance begins to deteriorate, or if you notice dings, chips, or cracks.

To perform this procedure:

1. TURN **OFF** THE MACHINE, ALLOW ALL MOVING PARTS TO COME TO A COMPLETE STOP, AND DISCONNECT THE SPARK PLUG WIRE!
2. Remove the side cover plate to expose the blades. (See **Pic.21**)
3. Remove one blade, rotate the impeller, and remove the second blade.
4. Have the original blades professionally sharpened, or order a replacement set, then re-install the blades.
5. Replace the side cover plate and re-attach the spark plug wire.



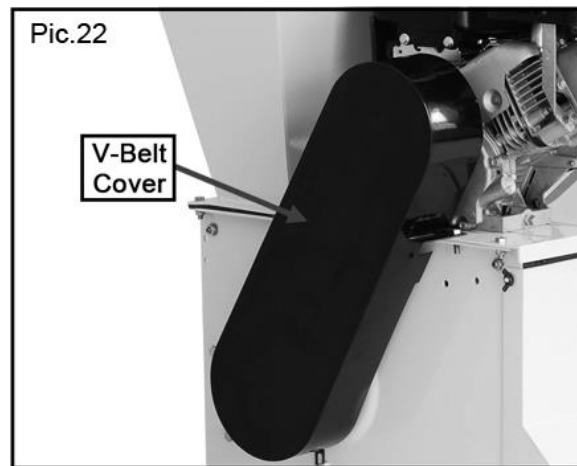
Pic.21 Chipper blade

Replacing V-Belt

Replace or tighten the V-belt if you notice the motor running and the chipper blades are not spinning.

To perform this procedure:

1. TURN **OFF** THE MACHINE, ALLOW ALL MOVING PARTS TO COME TO A COMPLETE STOP, AND DISCONNECT THE SPARK PLUG WIRE!
2. Remove the V-belt cover as shown in **Pic.22**.



3. Roll the belt off of the pulleys and install the new belt.
4. Replace the V-belt cover and re-attach the spark plug wire.


Storage

Follow these guidelines when storing your chipper/shredder.

- Remove the spark plug wire to prevent unauthorized starting.
- Empty the bag before storing to keep the mulch from rotting in the bag.
- Place the chipper/shredder in a dry, level area. If the chipper/shredder is tipped it may leak oil and gas.
- DO NOT store the chipper/shredder near an ignition source, such as a wood stove, gas or electric heater, or an appliance or heater with a pilot light.
- Store the chipper/shredder in a well-ventilated area. DO NOT store the chipper/shredder in an area that will allow toxic gas fumes into areas inhabited by humans or animals.
- Close the discharge chute deflector and place the covers over the hopper and the funnel to prevent objects or critters from getting into the machine.
- If the engine is not to be used or is to be stored for more than one month the following storage procedure should be carried out. Drain all the fuel from the fuel tank and the carburetor ensure that all the fuel has been removed. Remove the spark plug and pour approximately one tablespoon full of clean engine oil into the spark plug hole. With the ignition turned OFF gently pull on the recoil starter cord several times. Re-fit the spark plug continue to pull the recoil starter cord until the piston is on the compression stroke (when resistance is felt) then stop pulling.

SECTION 5: SERVICE

Review the troubleshooting and procedures in this section to fix your machine if a problem develops.

 WARNING

Turn *OFF* the machine, allow all moving parts to come to a complete stop, and disconnect the spark plug wire before moving the machine, emptying the bag, unclogging the inlets or outlets, filling the gas tank, or performing maintenance and repairs.

Troubleshooting

Symptom	Possible Cause	Possible Solution
Engine will not start.	<ol style="list-style-type: none"> 1. Control levers are not in correct positions for starting. 2. Spark plug wire is not connected to the spark plug, or the spark plug is bad. 3. No gas or gas is old and stale. 4. Air filter is dirty. 5. Engine oil is low. 6. Blocked fuel line. 	<ol style="list-style-type: none"> 1. Make sure the ON/OFF switch is ON, the fuel shut-off valve is open, and the choke and throttle controls are in the start position. 2. Connect the spark plug wire or replace the spark plug. 3. If empty, fill the tank. If full, drain the gas, and then fill the tank with fresh gas. 4. Clean out the air filter. 5. Add oil to the engine. 6. Clean out the fuel line.
Engine does not run smoothly.	<ol style="list-style-type: none"> 1. Engine is warm, and the choke is still in the CHOKE position. 2. Air filter is dirty. 3. Stale fuel, water or dirt in fuel, blocked fuel line. 	<ol style="list-style-type: none"> 1. Move the choke to the RUN position. 2. Clean the air filter. 3. Drain the fuel tank, clean out the fuel line, and fill the tank with fresh gas.
Engine overheats.	<ol style="list-style-type: none"> 1. Chips and sawdust around the motor. 2. Dirty air filter. 	<ol style="list-style-type: none"> 1. Clean off the motor. 2. Clean out the air filter.
Machine vibrates or makes unusual noises.	<ol style="list-style-type: none"> 1. Loose or damaged parts. 2. Impeller or blades have woody residue or chunks stuck to them. 	<ol style="list-style-type: none"> 1. Check the blades, hammers, impeller, and all connections. Tighten, repair, or replace any loose or damaged parts. 2. Clean the impeller and blades.
Chipper/shredder no longer chips or shreds well.	<ol style="list-style-type: none"> 1. Dull or damaged blades and hammers. 2. Loose, worn, or damaged V-belt. 	<ol style="list-style-type: none"> 1. Sharpen or replace blades and check the hammers for damage. 2. Replace or tighten V-belt.
Chips do not come out of the discharge chute or come out slowly.	<ol style="list-style-type: none"> 1. Discharge chute or hopper is clogged. 2. Insufficient motor RPM's. 	<ol style="list-style-type: none"> 1. Turn OFF the motor, disconnect the spark plug, then clean out the machine 2. Move the throttle to FAST.

SECTION 6: SPECIFICATION

Motor power	11kW (15HP)
Speed	3600/min
CHIPPING CAPACITY	Ø102mm
Weight	105kg
Sound pressure level at operator's ear	LpA=91.8dB(A) K=2,5 dB(A)
Declared sound power level	LwA=110dB(A) K=2,5 dB(A)

The noise emission is measured according the requirements of the standards EN13683 Annex F.

DECLARATION OF CONFORMITY



Declaration of conformity

**FEIDER
ZI, 32 RUE ARISTIDE BERGES – 312070 CUGNAUX – FRANCE**

Declare that this machine:

CHIPPER SHREDDER

Model: FBT400

Serial number:

Is in conformity with the directive « machine » 2006/42/CE and to regulations transposing it

Also in conformity with the following directives:

Directive EMC 2014/30/EU

Directive RoHS 2011/65/EU

Directive 2000/14/CE Annex VI, 2005/88/EC

Guarantee sound power level 110 dB(A)

Also in conformity with the following standards:

EN 13683:2003+A2:2011+C1:2013

EN ISO 19482:2009

Cugnaux, 17/03/2019

Philippe MARIE / PDG

A handwritten signature in black ink, appearing to be 'Philippe Marie', written over a faint circular stamp or background.

Responsible of technical file: Olivier Patriarca