

Energizer[®]



PORTABLE LOCAL AIR CONDITIONER
EZCP7000-UK
USER GUIDE

Note: Please read the instructions before using the machine!

Energizer®

©2023 Energizer. Energizer and certain graphic designs are trademarks of Energizer Brands, LLC and related subsidiaries and are used under license by Builder SAS. All other brand names are trademarks of their respective owners. Neither Builder SAS nor Energizer Brands, LLC is affiliated with the respective owners of their trademarks.

Let's get started.

You're excited to power up, so we'll keep this brief!

The refrigerant used in mobile air conditioners is the environmentally friendly hydrocarbon R290. This refrigerant is odorless, and compared to the alternative refrigerant, the R290 is an ozone-free refrigerant, and its effect on the environment is very low.

Please read the instructions before use and repair.

The drawings provided in this manual may not be the same as the physical objects. Please refer to the physical objects.

- Refrigerant: R290/130g
- The minimum rated airflow: 300m³/h
- Technical data of Fuse: T; 3,15A; 250V

I. ATTENTION

Warning:

1. Do not use means to accelerate the defrosting process or to clean, other than those recommended by the manufacturer.
2. The appliance should be stored in a room that does not have any continuously operating ignition sources (for example: open flames, an operating gas appliance or an operating electric heater).
3. Do not pierce or burn.
4. Appliance should be installed, operated and stored in a room with a floor area larger than 7m².
5. Keep any required ventilation openings clear of obstruction.
6. Servicing should be performed only as recommended by the manufacturer.
7. The appliance should be stored in a well-ventilated area where the room size corresponds to the room area as specified for operation.
8. Any person who is involved with working on or

breaking into a refrigerant circuit should hold a current valid certificate from an industry-accredited assessment authority, which authorizes their competence to handle refrigerants safely in accordance with an industry recognized assessment specification.

9. Servicing should only be performed as recommended by the equipment manufacturer. Maintenance and repair requiring the assistance of other skilled personnel should be carried out under the supervision of the person competent in the use of flammable refrigerants.

10. All working procedure that affects safety means should only be carried by competent persons.



Notes

- The air conditioning is only suitable for indoor use, and is not suitable for other applications. Follow local grid interconnection rules while installing the air conditioning and ensure that it is properly grounded. If you have any question on electrical installation, follow the instructions of the manufacturer, and if necessary, ask a professional electrician to install it.

- Place the machine in a flat and dry place and keep a distance of above 50cm between the machine and the surrounding objects or walls.
- After the air conditioning is installed, ensure that the power plug is intact and firmly plugged into the power outlet, and place the power cord orderly to prevent someone from being tripped or pulling out the plug.
- Do not put any object into the air inlet and outlet of the air conditioning. Keep the air inlet and outlet free from obstructions.
- When drainage pipes are installed, ensure that they are properly connected, and are not distorted or bent.
- While adjusting the upper and lower wind-guide strips of the air outlet, pluck it with hands gently to avoid damaging wind-guide strips.
- When moving the machine, make sure that it is in an upright position.
- The machine should stay away from gasoline, flammable gas, stoves and other heat sources.
- Don't disassemble, overhaul and modify the machine arbitrarily, otherwise it will cause a machine malfunction or even bring harm to persons and properties. To avoid danger, if a machine failure occurs, ask the manufacturer or professionals to repair it.
- Do not install and use the air conditioning in the bathroom or other humid environments.

- Do not pull the plug to turn off the machine.
- Do not place cups or other objects on the body to prevent water or other liquids from spilling into the air conditioning.
- Do not use insecticide sprays or other flammable substances near the air conditioning.
- Do not wipe or wash the air conditioning with chemical solvents such as gasoline and alcohol. When you need to clean the air conditioning, you must disconnect the power supply, and clean it with a half-wet soft cloth. If the machine is really dirty, scrub with a mild detergent.
- This appliance can be used by children aged from 8 years and above and persons with reduced physical, sensory or mental capabilities, or lack of experience and knowledge if they have been given supervision or instruction concerning use of the appliance in a safe way and understand the hazards involved. Children shall not play with the appliance. Cleaning and user maintenance shall not be made by children without supervision.
- If the supply cord is damaged, it must be replaced by the manufacturer, its service agent or similarly qualified persons in order to avoid a hazard.
- The appliance should be installed in accordance with national wiring regulations.
- Do not operate your air conditioner in a wet room such as a bathroom or laundry room.
- The installation of pipe-work should be kept to a minimum.

- Pipe-work should be protected from physical damage and should not be installed in an unventilated space.
- Compliance with national gas regulations should be observed.
- Mechanical connections should be accessible for maintenance purposes.
- The minimum floor area of the room should be mentioned in the form of a table or a single figure without reference to a formula.
- An unventilated area where the appliance using flammable refrigerants is installed should be constructed so that, should any refrigerant leak, it will not stagnate so as to create a fire or explosion hazard.
- The appliance should be stored in a well-ventilated area where the room size corresponds to the room area as specified for operation.
- The appliance should be stored in a room where there are no continuously operating open flames (for example an operating gas appliance) and ignition sources (for example an operating electric heater).
- The appliance should be stored so as to prevent mechanical damage from occurring.
- Any person who is involved with working on or breaking into a refrigerant circuit should hold a current valid certificate from an industry-accredited

assessment authority, which authorizes their competence to handle refrigerants safely in accordance with an industry recognized assessment specification.

- Servicing should only be performed as recommended by the equipment manufacturer. Maintenance and repair requiring the assistance of other skilled personnel should be carried out under the supervision of the person competent in the use of flammable refrigerants.

1. Information on servicing

1) Checks to the area

Prior to beginning work on systems containing flammable refrigerants, safety checks are necessary to ensure that the risk of ignition is minimized. For repair to the refrigerating system, the following precautions should be complied with prior to conducting work on the system.

2) Work procedure

Work should be undertaken in a controlled manner so as to minimize the risk of a flammable gas or vapor being present while the work is being performed.

3) General work area

All maintenance staff and others working in the local area should be instructed on the nature of work being carried out. Work in confined spaces should be avoided. The area around the workspace should be sectioned

off. Ensure that the conditions within the area have been made safe by control of flammable material.

4) Checking for presence of refrigerant

The area should be checked with an appropriate refrigerant detector prior to and during work, to ensure the technician is aware of potentially flammable atmospheres. Ensure that the leak detection equipment being used is suitable for use with flammable refrigerants, i.e. non-sparking, adequately sealed or intrinsically safe.

5) Presence of fire extinguisher

If any hot work is to be conducted on the refrigeration equipment or any associated parts, appropriate fire extinguishing equipment should be available to hand. Have a dry powder or CO₂ fire extinguisher adjacent to the charging area.

6) No ignition sources

No person carrying out work in relation to a refrigeration system which involves exposing any pipe work that contains or has contained flammable refrigerant should use any sources of ignition in such a manner that it may lead to the risk of fire or explosion. All possible ignition sources, including cigarette smoking, should be kept sufficiently far away from the site of installation, repairing, removing and disposal, during which flammable refrigerant can possibly be released to the surrounding space. Prior to work taking place, the area around the equipment is to be surveyed

to make sure that there are no flammable hazards or ignition risks. “No Smoking” signs should be displayed.

7) Ventilated area

Ensure that the area is in the open or that it is adequately ventilated before breaking into the system or conducting any hot work. A degree of ventilation should continue during the period that the work is carried out. The ventilation should safely disperse any released refrigerant and preferably expel it externally into the atmosphere.

8) Checks to the refrigeration equipment

Where electrical components are being changed, they should be fit for the purpose and to the correct specification. At all times the manufacturer’s maintenance and service guidelines should be followed. If in doubt consult the manufacturer’s technical department for assistance.

The following checks should be applied to installations using flammable refrigerants:

- The charge size is in accordance with the room size within which the refrigerant containing parts are installed.
- The ventilation machinery and outlets are operating adequately and are not obstructed.
- If an indirect refrigerating circuit is being used, the secondary circuit should be checked for the presence of refrigerant.
- Marking to the equipment continues to be visible

and legible. Markings and signs that are illegible should be corrected.

- Refrigeration pipe or components are installed in a position where they are unlikely to be exposed to any substance which may corrode refrigerant containing components, unless the components are constructed of materials which are inherently resistant to being corroded or are suitably protected against being so corroded.

9) Checks to electrical devices

Repair and maintenance to electrical components should include initial safety checks and component inspection procedures. If a fault exists that could compromise safety, then no electrical supply should be connected to the circuit until it is satisfactorily dealt with. If the fault cannot be corrected immediately but it is necessary to continue operation, an adequate temporary solution should be used. This should be reported to the owner of the equipment so all parties are advised. Initial safety checks should include:

- That capacitors are discharged: this should be done in a safe manner to avoid possibility of sparking.
- That there no live electrical components and wiring are exposed while charging, recovering or purging the system.
- That there is continuity of earth bonding.

2. Repairs to sealed components

- During repairs to sealed components, all electrical supplies should be disconnected from the equipment being worked upon prior to any removal of sealed covers, etc. If it is absolutely necessary to have an electrical supply to equipment during servicing, then a permanently operating form of leak detection should be located at the most critical point to warn of a potentially hazardous situation.
- Particular attention should be paid to the following to ensure that by working on electrical components, the casing is not altered in such a way that the level of protection is affected. This should include damage to cables, excessive number of connections, terminals not made to original specification, damage to seals, incorrect fitting of glands, etc.
- Ensure that apparatus is mounted securely. Ensure that seals or sealing materials have not degraded such that they no longer serve the purpose of preventing the ingress of flammable atmospheres. Replacement parts should be in accordance with the manufacturer's specifications.

NOTE: The use of silicon sealant may inhibit the effectiveness of some types of leak detection equipment. Intrinsically safe components do not have to be isolated prior to working on them.

3. Repair to intrinsically safe components

Do not apply any permanent inductive or capacitance loads to the circuit without ensuring that this will not

exceed the permissible voltage and current permitted for the equipment in use. Intrinsically safe components are the only types that can be worked on while live in the presence of a flammable atmosphere. The test apparatus should be at the correct rating. Replace components only with parts specified by the manufacturer. Other parts may result in the ignition of refrigerant in the atmosphere from a leak.

4. Cabling

Check that cabling will not be subject to wear, corrosion, excessive pressure, vibration, sharp edges or any other adverse environmental effects. The check should also take into account the effects of aging or continual vibration from sources such as compressors or fans.

5. Detection of flammable refrigerants

Under no circumstances should potential sources of ignition be used in the searching for or detection of refrigerant leaks. A halide torch (or any other detector using a naked flame) should not be used.

6. Leak detection methods

The following leak detection methods are deemed acceptable for systems containing flammable refrigerants.

Electronic leak detectors should be used to detect flammable refrigerants, but the sensitivity may not be adequate, or may need re-calibration. (Detection

equipment should be calibrated in a refrigerant-free area). Ensure that the detector is not a potential source of ignition and is suitable for the refrigerant used. Leak detection equipment should be set at a percentage of the LFL of the refrigerant and should be calibrated to the refrigerant employed and the appropriate percentage of gas (25% maximum) is confirmed. Leak detection fluids are suitable for use with most refrigerants but the use of detergents containing chlorine should be avoided as the chlorine may react with the refrigerant and corrode the copper pipe-work. If a leak is suspected, all naked flames should be removed/extinguished. If a leakage of refrigerant is found which requires brazing, all of the refrigerant should be recovered from the system, or isolated (by means of shut off valves) in a part of the system remote from the leak. Oxygen free nitrogen (OFN) should then be purged through the system both before and during the brazing process.

7. Removal and evacuation

When breaking into the refrigerant circuit to make repairs, or for any other purpose, conventional procedures should be used. However, it is important that best practice is followed since flammability is a consideration. The following procedure should be adhered to:

- Remove refrigerant;
- Purge the circuit with inert gas;
- Evacuate;
- Purge again with inert gas;
- Open the circuit by cutting or brazing.

The refrigerant charge should be recovered into the correct recovery cylinders. The system should be “flushed” with OFN to render the unit safe. This process may need to be repeated several times. Compressed air or oxygen should not be used for this task. Flushing should be achieved by breaking the vacuum in the system with OFN and continuing to fill until the working pressure is achieved, then venting to atmosphere, and finally pulling down to a vacuum. This process should be repeated until no refrigerant is within the system. When the final OFN charge is used, the system should be vented down to atmospheric pressure to enable work to take place. This operation is absolutely vital if brazing operations on the pipe-work are to take place. Ensure that the outlet for the vacuum pump is not close to any ignition sources and there is ventilation available.

8. Charging procedures

In addition to conventional charging procedures, the following requirements should be followed.

- Ensure that contamination of different refrigerants does not occur when using charging equipment. Hoses or lines should be as short as possible to minimize the amount of refrigerant contained in them.
- Cylinders should be kept upright.
- Ensure that the refrigeration system is earthed prior to charging the system with refrigerant.
- Label the system when charging is complete (if not already).
- Extreme care should be taken not to overfill the

refrigeration system.

Prior to recharging the system it should be pressure tested with OFN. The system should be leak tested on completion of charging but prior to commissioning. A follow up leak test should be carried out prior to leaving the site.

9. Decommissioning

Before carrying out this procedure, it is essential that the technician is completely familiar with the equipment and all its detail. It is recommended good practice that all refrigerants are recovered safely. Prior to the task being carried out, an oil and refrigerant sample should be taken in case analysis is required prior to re-use of reclaimed refrigerant. It is essential that electrical power is available before the task is commenced.

- Become familiar with the equipment and its operation.
- Isolate system electrically.
- Before attempting the procedure ensure that:
 - Mechanical handling equipment is available, if required for handling refrigerant cylinders.
 - All personal protective equipment is available and being used correctly.
 - The recovery process is supervised at all times by a competent person.
 - Recovery equipment and cylinders conform to the appropriate standards.
- Pump down refrigerant system, if possible.
- If a vacuum is not possible, make a manifold so that

refrigerant can be removed from various parts of the system.

- Make sure that cylinder is situated on the scales before recovery takes place.
- Start the recovery machine and operate in accordance with manufacturer's instructions.
- Do not overfill cylinders. (No more than 80% volume liquid charge).
- Do not exceed the maximum working pressure of the cylinder, even temporarily.
- When the cylinders have been filled correctly and the process completed, make sure that the cylinders and the equipment are removed from site promptly and all isolation valves on the equipment are closed off.
- Recovered refrigerant should not be charged into another refrigeration system unless it has been cleaned and checked.

10. Labeling

Equipment should be labeled stating that it has been de-commissioned and emptied of refrigerant. The label should be dated and signed. Ensure that there are labels on the equipment stating the equipment contains flammable refrigerant.

11. Recovery

When removing refrigerant from a system, either for servicing or decommissioning, it is recommended good practice that all refrigerants are removed safely.

When transferring refrigerant into cylinders, ensure that only appropriate refrigerant recovery cylinders are employed.

Ensure that the correct number of cylinders for holding the total system charge is available. All cylinders to be used are designated for the recovered refrigerant and labelled for that refrigerant (i.e. special cylinders for the recovery of refrigerant). Cylinders should be complete with pressure relief valve and associated shut-off valves in good working order. Empty recovery cylinders are evacuated and, if possible, cooled before recovery occurs.

The recovery equipment should be in good working order with a set of instructions concerning the equipment that is at hand and should be suitable for the recovery of flammable refrigerants. In addition, a set of calibrated weighing scales should be available and in good working order.

Hoses should be complete with leak-free disconnect couplings and in good condition. Before using the recovery machine, check that it is in satisfactory working order, has been properly maintained and that any associated electrical components are sealed to prevent ignition in the event of a refrigerant release. Consult manufacturer if in doubt. The recovered refrigerant should be returned to the refrigerant supplier in the correct recovery cylinder, and the relevant Waste Transfer Note arranged.

Do not mix refrigerants in recovery units and especially not in cylinders.

If compressors or compressor oils are to be removed, ensure that they have been evacuated to an acceptable level to make certain that flammable refrigerant does not remain within the lubricant.

The evacuation process should be carried out prior to returning the compressor to the suppliers.

Only electric heating to the compressor body should be employed to accelerate this process. When oil is drained from a system, it should be carried out safely.

12. Transportation, marking and storage for units

1) Transport of equipment containing flammable refrigerants

Compliance with the transport regulations

2) Marking of equipment using signs

Compliance with local regulations

3) Disposal of equipment using flammable refrigerants

Compliance with national regulations

4) Storage of equipment/appliances

The storage of equipment should be in accordance with the manufacturer's instructions.

5) Storage of packed (unsold) equipment

Storage package protection should be constructed such that mechanical damage to the equipment inside the package will not cause a leak of the refrigerant charge. The maximum number of pieces of equipment permitted to be stored together will be determined by local regulations.



: CAUTION, Risk of fire



Read instruction manual



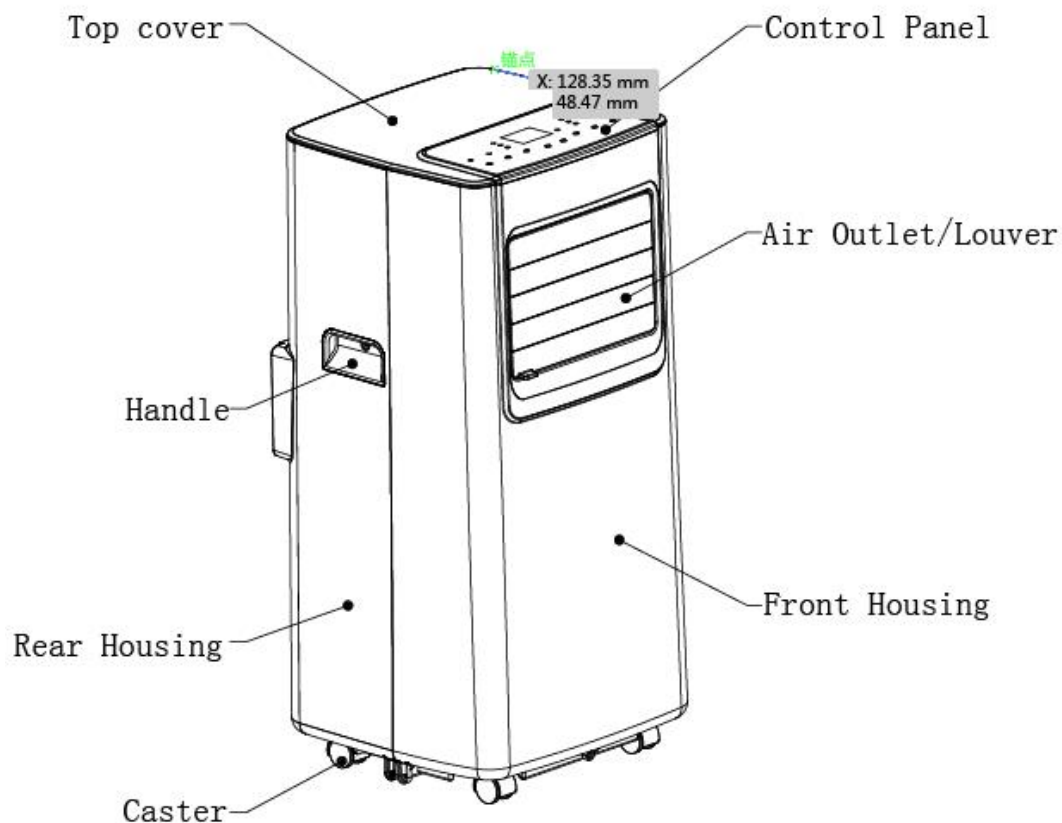
Any repairs you may need, contact the nearest authorized Service Centre and strictly follow manufacturer's instruction only.

II. FEATURES AND COMPONENTS

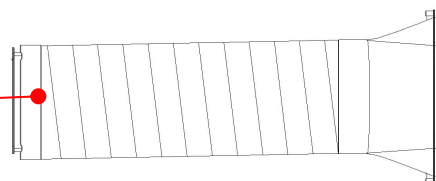
1. Features

- Brand new appearance, compact structure, smooth line, simple and generous shape.
- With cooling, heating (single cold with no such function), dehumidification and fan function.
- LED displays the control panel, beautiful and fashionable, with high-quality remote control. It adopts a user-friendly remote control design.
- Air filtration capability.
- Timing switch function.
- Protection functions of automatically restarting the compressor after three minutes, a variety of other protection functions.

2. Components



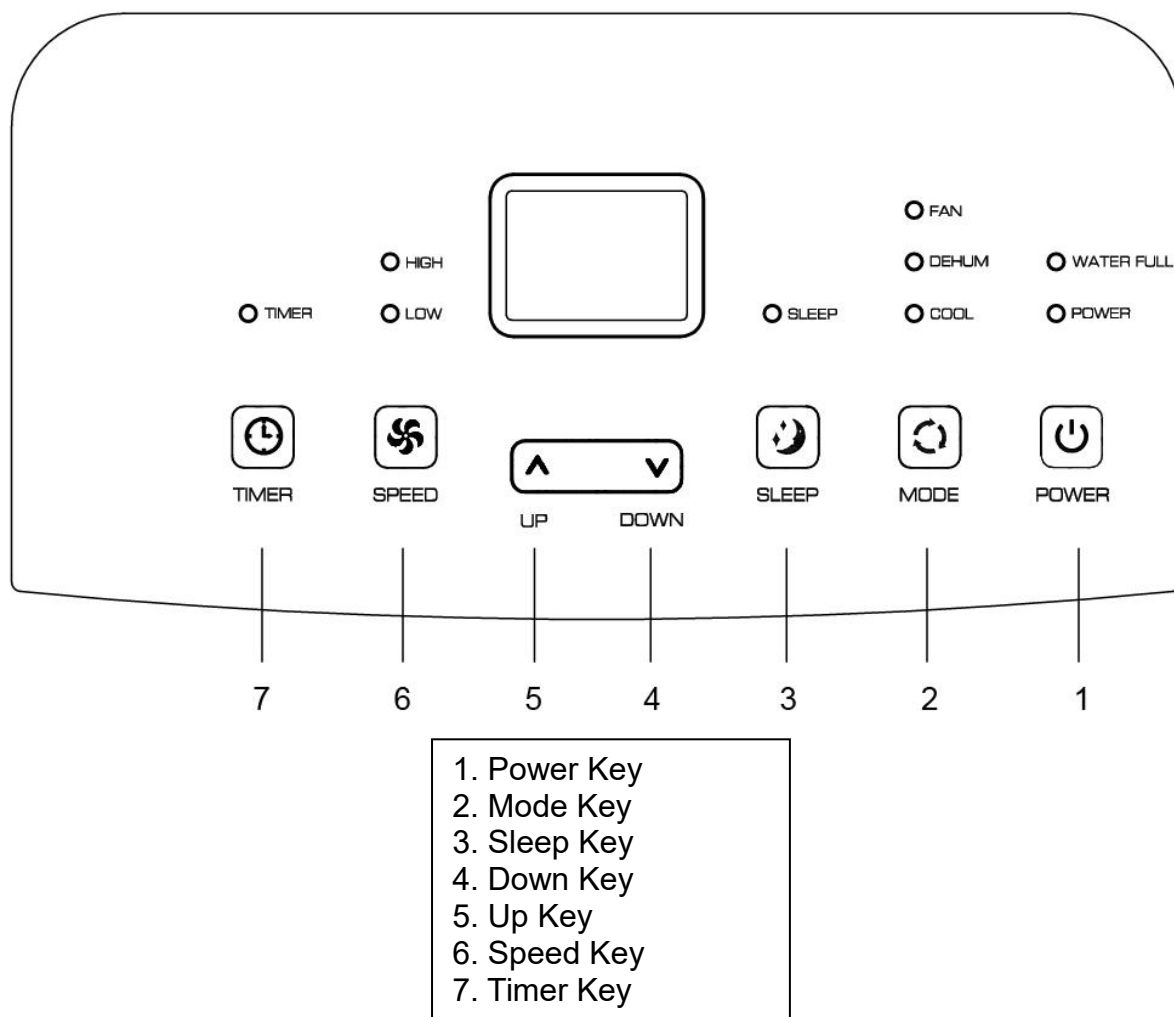
Exhaust Pipe Assembly



III. CONTROL SETTING

1. Control panel operation instructions

Operation interface



When the machine is powered on for the first time, the machine will get into standby status.

1. Power Key:

Press the key to turn on and turn off the machine.

2. Mode Selection Key: In the case of power on, press the key to switch between cool, dehumidify and fan settings.

3. Sleep Key: In cool mode, press the Sleep key to activate sleep mode - the unit will operate on Energy Saving and will be quieter.

4 & 5. Up Key and Down Key:

Press the two keys to change the setting temperature or setting time, operate as follows:

While setting temperature, press up key or down key to select the required temperature (not available in fan or dehumidifying mode).

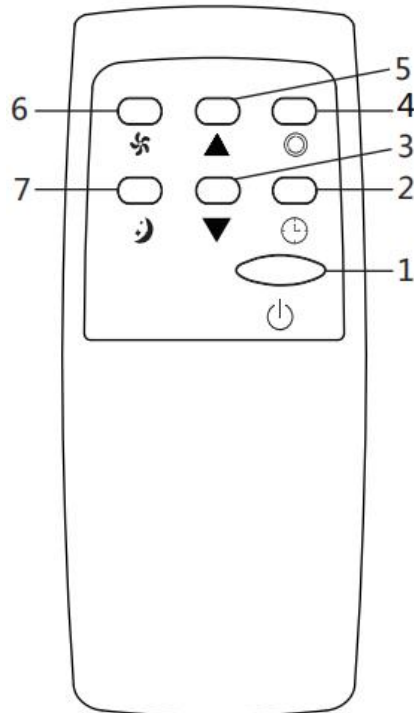
While setting time, press up key or down key to select the required time.

6. Speed Key: Use it to Choose between high or low settings.








7. Timer Key: Press Timer key, when the symbol flashes, press up or down to select the desired timer. Timers can be set from 1-24 hours in one hour increments.

2. Operating instructions of remote control

The remote control Panel is as follows:



Instructions of key operation of the high-quality remote control are as follows:

1. Power: Press the  key to turn on or turn off the machine.
2. Timer: Press the  key to set timing.
3. Down: Press the  key to reduce temperature and timing set value.
4. Mode: Press the  key to switch between cooling, heating, fan, dehumidifying mode.
5. Up: Press the  key to increase temperature and timing set value.
6. Fan: Press the  key to select high, low wind speed.
7. Sleep Mode: Press the  key to turn on the sleep mode.

IV. PROTECTION FUNCTION

1. Frost Protection Function:

In cooling, if the temperature of the EVA pipe sensor is too low, the machine will automatically enter protection status; if the temperature of the EVA pipe sensor rises to a certain temperature, it can automatically revert to normal operation.

2. Overflow Protection Function:

When water in the water pan exceeds the warning level, the machine will automatically sound an alarm, and the W.F indicator will flash. At this point, you need to drain the water (details see Drainage Instructions at the end of this chapter). After the water is emptied, the machine will go into standby.

3. Automatic Defrosting:

In heating, the machine has automatic defrosting function. After defrosting, the machine will automatically return to the original status.

4. Overheat Protection:

To protect the service life of the machine, the machine has overheat protection in heating mode. During the protection period, the compressor and the lower motor will stop operation and will automatically return to normal heating state after the temperature of the machine recovers.

5. Protection Function of the Compressor

To increase the service life of the compressor, it has a 3-minute delay booting protection function after the compressor is turned off.

V. INSTALLATION AND ADJUSTMENT

1. Installation

Warning: Before using the mobile air conditioning, keep it upright for at least two hours.

The air conditioning can be easily moved in the room. In the moving process, ensure that the air conditioning is in the upright position and the air conditioning should be placed on a flat surface. Do not install and use the air conditioning in the bathroom or other humid environments.

1.1 Install the exhaust pipe assembly (as shown in Fig.1)

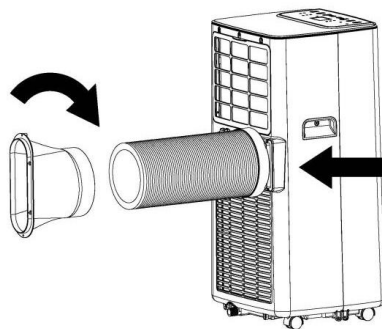


Fig.1

- 1) Slide the frame into the back panel slot.
- 2) Insert the exhaust pipe assembly into the frame.
- 3) Install then the extremity to the pipe.

1.2 Install the body

- 1) Move the machine with installed exhaust pipe to the window. The distance between the body and walls or other objects should be least 50 cm (as shown in Fig.2)

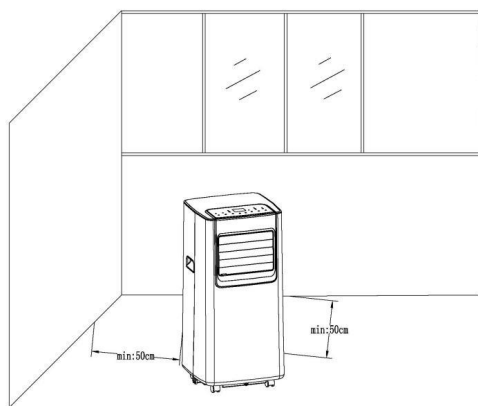


Fig. 2

1.3 Install the pipe

- 1) Elongate the exhaust pipe (as shown in Fig.3 and Fig.4).
- 2) The pipe cannot be distorted nor has substantial turning (greater than 45°).
- 3) Do not block the ventilation of the exhaust pipe

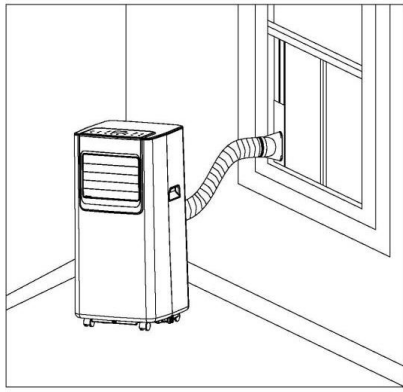


Fig.3

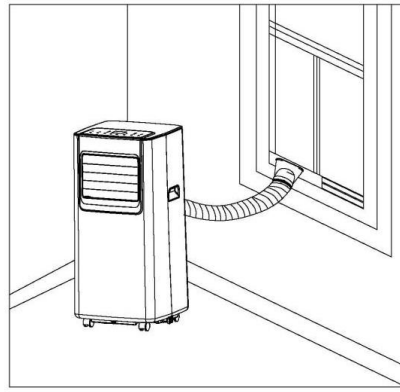


Fig.4

Important Notice:

The length of the exhaust hose should be 280~1,500mm, and this length is based on the specifications of the air conditioning. Do not use extension tubes or replace it with a different hose, as this may cause a malfunction. Exhaust hose must be not blocked; otherwise it may cause overheating.

VI. DRAINAGE INSTRUCTIONS

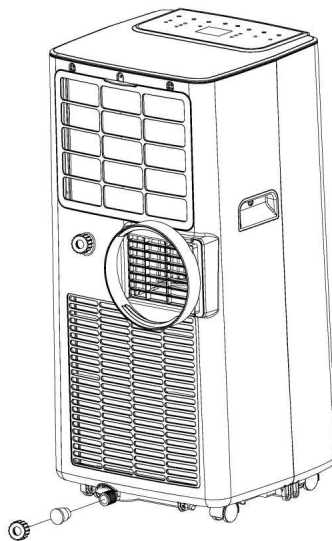
This machine has two drainage methods: manual drainage and continuous drainage.

1. Manual drainage:

- 1) When the machine stops after the water is full, turn off the machine power and unplug the power plug.

Notes: Please move the machine carefully, so as not to spill the water in the water pan at the bottom of the body.

- 2) Place the water container below the side water outlet behind the body.
- 3) Unscrew the drainage cover and unplug the water plug, the water will automatically flow into the water container.



Notes

- Store the drainage cover and the water plug properly.
- During drainage, the body can be tilted slightly backwards.
- If the water container cannot hold all of the water, before the water container is full, reinsert the water plug as soon as possible to prevent water from flowing on to the floor or the carpet.
- When the water is discharged, reinsert the water plug, and tighten the drainage cover.

VII. MAINTENANCE

Cleaning:

Before cleaning and maintenance, turn off the machine and unplug the plug.

1. Clean the surface

Clean surface of machine with a wet soft cloth. Do not use chemicals such as benzene, alcohol, gasoline, etc., as these can damage the surface of the air conditioning and/or the whole machine.

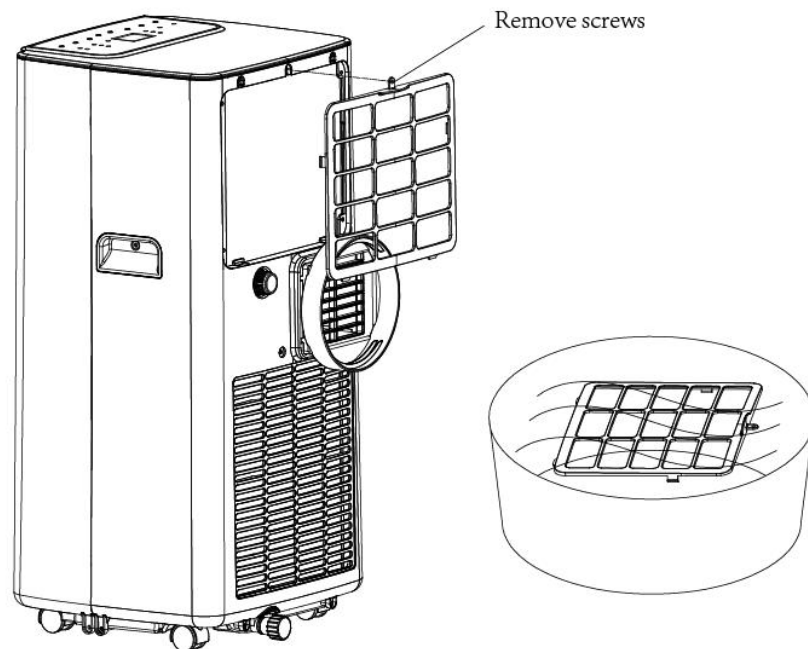
2. Clean the filter screen

If the filter screen is clogged with dust, and the effectiveness of the air conditioning is reduced, be sure to clean the filter screen once every two weeks.

3. Clean the upper filter screen frame

1) Unscrew one screw fixed by the EVA filter net and back shell with screwdriver, and take out the EVA filter net.

2) Put the EVA filter screen into warm water with neutral detergent (about 40°C / 104°F) and dry it outside (but not in direct sun) after rinsing clean.



VIII. UNIT STORAGE

- 1) Unscrew the drainage cover, unplug the water plug, and discharge the water in the water pan into other water containers or directly tilt the body to discharge the water into other containers.
- 2) Turn on the machine, adjust it to low-wind ventilation mode, and maintain this state until the drainage pipe becomes dry, so as to keep the inside of the body in a dry state and prevent it from mildewing.
- 3) Turn off the machine, unplug the power plug, and wrap the power cord around the wrapping post; install the water plug and the drainage cover.
- 4) Remove the exhaust pipe and store it properly.
- 5) Cover the air conditioning with a plastic bag. Put the air conditioning in a dry place, keep it out of the reach of children, and take dust control measures.
- 6) Remove batteries from the remote control and store them properly.

Note: ensure that the body is placed in a dry place and store all machine components properly.

IX. TROUBLESHOOTING

Do not repair or disassemble the air conditioning by yourself. Unqualified repair will lead to failure of the warranty card, and may cause damage to users or their properties.

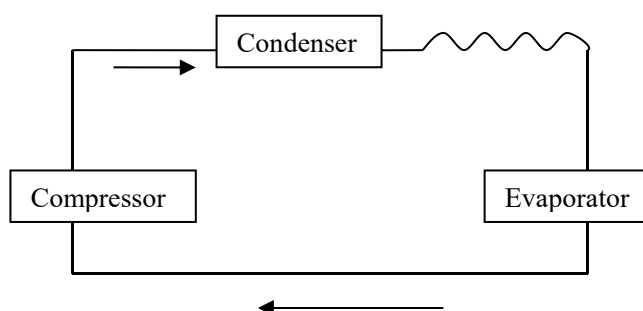
Problems	Reasons	Solutions
The air conditioning does not work	There is no electricity	Turn it on after connecting it to a socket with electricity
	The water-full indicator will flash	Discharge the water inside
	The ambient temperature is too low or too high	Recommend to use the machine in at the temperature of 7-35°C (44-95°F).
	In cooling mode, the room temperature is lower than the set temperature; in heating mode, the room temperature is higher than the set temperature	Change the set temperature
	In dehumidification mode, the ambient temperature is low	The machine is placed in a room with an ambient temperature of greater than 17°C (62°F)
The cooling effect is not good	There is direct sunlight	Pull the curtain
	Doors or windows are open; there are a lot of people; or in cooling mode, there are other sources of heat	Close doors and windows, and add new air conditioning
	The filter screen is dirty	Clean or replace the filter screen
	The air inlet or outlet is blocked	Clear obstructions
Big noise	The air conditioning is not placed on a flat surface	Put the air conditioning on a flat and hard surface (to reduce noise)
Compressor does not work.	Frost production starts	Wait for 3 minutes until the temperature is lowered, and then restart the machine
	Overheat protection starts	
The remote control does not work.	The distance between the machine and the remote control is too far	Let the remote control get close to the air conditioning, and make sure that the remote control directly faces to the direction of the remote control receiver
	The remote control is not aligned with the direction of the remote control receiver	
	Batteries are dead	Replace batteries
Displays 'E1'	The room temperature sensor is abnormal	Check the room temperature sensor and related circuitry
Displays 'E2'	The pipe temperature sensor is abnormal	Check the pipe temperature sensor and related circuitry


Note: If problems not listed in the table occur or recommended solutions do not work, please contact the professional service organization.

X. ADDENDUM

Schematic diagram for air conditioning

(The specific technical parameters of the machine should be subject to the nameplate on the product).



 Electrical products should not be discarded with household products. According to the European Directive 2012/19/EU on waste electrical and electronic equipment and its implementation into national law, electrical products used must be collected separately and disposed of at collection points provided for this purpose. Talk with your local authorities or dealer for advice on recycling.

XI. WARRANTY

Energizer[®]

WARRANTY

The manufacturer guarantees the product against defects in material and workmanship for a period of 2 years from the date of the original purchase. The warranty only applies if the product is for household use. The warranty does not cover breakdowns due to normal wear and tear.

The manufacturer agrees to replace parts identified as defective by the designated distributor. The manufacturer does not accept responsibility for the replacement of the machine, in whole or in part, and/or ensuing damage.

The warranty does not cover breakdowns due to:

- insufficient maintenance.
- abnormal assembly, adjustment or operations of the product.
- parts subject to normal wear and tear.

The warranty does not extend to:

- shipping and packaging costs.
- using the tool for a purpose other than that for which it was designed.
- the use and maintenance of the machine done in a manner not described in the user manual.

Due to our policy of continuous product improvement, we reserve the right to alter or change specifications without notice. Consequently, the product may be different from the information contained therein, but a modification will be undertaken without notice if it is recognized as an improvement of the preceding characteristic.

READ THE MANUAL CAREFULLY BEFORE USING THE MACHINE.

When ordering spare parts, please indicate the part number or code, you can find this in the spare parts list in this manual. Keep the purchase receipt; without it, the warranty is invalid. To help you with your product, we invite you to contact us by phone or via our website:

- **+33 (0)9.70.75.30.30**
- **<https://services.swap-europe.com/contact>**

You must create a "ticket" via the web platform.

- Register or create your account.
- Indicate the reference of the tool.
- Choose the subject of your request.
- Describe your problem.
- Attach these files: invoice or sales receipt, photo of the identification plate (serial number), photo of the part you need (for example: pins on the transformer plug which are broken).



XII. PRODUCT FAILURE

WHAT TO DO IF MY MACHINE BREAKS DOWN?

If you bought your product in a store:

- a) Empty the fuel tank if your product has one.
- b) Make sure that your machine is complete with all accessories supplied, and clean! If this is not the case, the repairer will refuse the machine.

Go to the store with the complete machine and with the receipt or invoice.

If you bought your product on a website:

- a) Empty the fuel tank if your product has one.
- b) Make sure that your machine is complete with all accessories supplied, and clean! If this is not the case, the repairer will refuse the machine.
- c) Create a SWAP-Europe service ticket on the site: <https://services.swap-europe.com> When making the request on SWAP-Europe, you must attach the invoice and the photo of the nameplate (serial number).
- d) Contact the repair station to make sure it is available before dropping off the machine.

Go to the repair station with the complete machine packed, accompanied by the purchase invoice and the station support sheet downloadable after the service request is completed on the SWAP-Europe site.

For machines with engine failure from manufacturers BRIGGS & STRATTON, HONDA and RATO, please refer to the following instructions.

Repairs will be done by approved engine manufacturers of these manufacturers, see their site:

- <http://www.briggsandstratton.com/eu/fr>
- <http://www.honda-engines-eu.com/fr/service-network-page;jsessionid=5EE8456CF39CD572AA2AEEDFD290CDAE>
- <https://www.rato-europe.com/it/service-network>

Please keep your original packaging to allow for after-sales service returns or pack your machine with a similar cardboard box of the same dimensions.

For any question concerning our after-sales service you can make a request on our website <https://services.swap-europe.com>

Our hotline remains available at +33 (9) 70 75 30 30.



XIII. WARRANTY EXCLUSIONS

THE WARRANTY DOES NOT COVER:

- Start-up and setting up of the product.
- Damage resulting from normal wear and tear of the product.
- Damage resulting from improper use of the product.
- Damage resulting from assembly or start-up not in accordance with the user manual.
- Breakdowns related to carburetion beyond 90 days and fouling of carburetors.
- Periodic and standard maintenance events.
- Actions of modification and dismantling that directly void the warranty.
- Products whose original authentication marking (brand, serial number) has been degraded, altered or withdrawn.
- Replacement of consumables.
- The use of non-original parts.
- Breakage of parts following impacts or projections.
- Accessories breakdowns.
- Defects and their consequences linked to any external cause.
- Loss of components and loss due to insufficient screwing.
- Cutting components and any damage related to the loosening of parts.
- Overload or overheating.
- Poor power supply quality: faulty voltage, voltage error, etc.
- Damages resulting from the deprivation of enjoyment of the product during the time necessary for repairs and more generally the costs related to the immobilization of the product.
- The costs of a second opinion established by a third party following an estimate by a SWAP-Europe repair station.
- The use of a product which would show a defect or a breakage which was not the subject of an immediate report and/or repair with the services of SWAP-Europe.
- Deterioration linked to transport and storage*.
- Launchers beyond 90 days.
- Oil, petrol, grease.
- Damages related to the use of non-compliant fuels or lubricants.

* In accordance with transport legislation, damage related to transport must be declared to carriers within 48 hours maximum after observation by registered letter with acknowledgement of receipt.

This document is a supplement to your notice, a non-exhaustive list.

Attention: All orders must be checked in the presence of the delivery person. In case of refusal by the delivery person, you must simply refuse the delivery and notify your refusal.

Reminder: The reserves do not exclude the notification by registered letter with acknowledgement within 72 hours.

Information: Thermal devices must be wintered each season (service available on the SWAP-Europe site). Batteries must be charged before being stored.

Energizer®